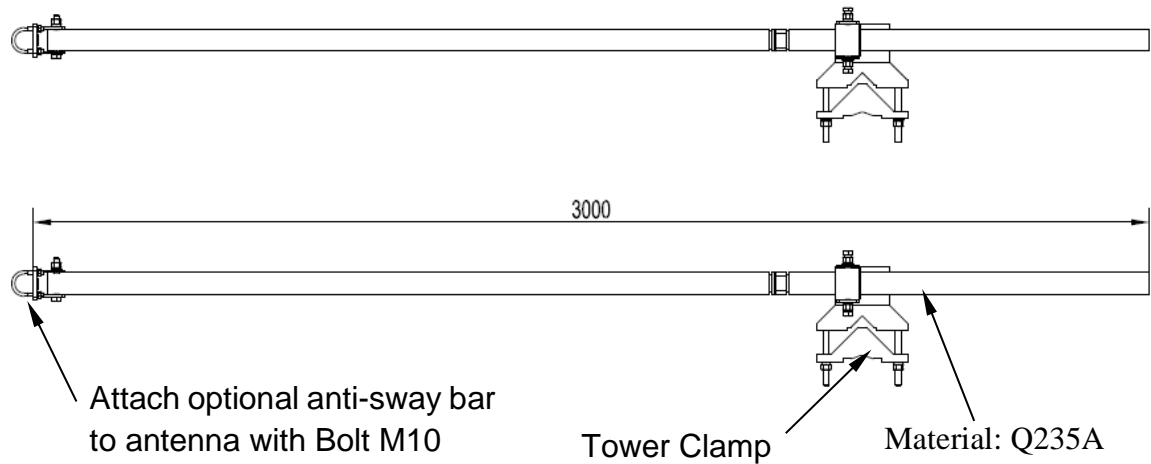


Installation Instructions

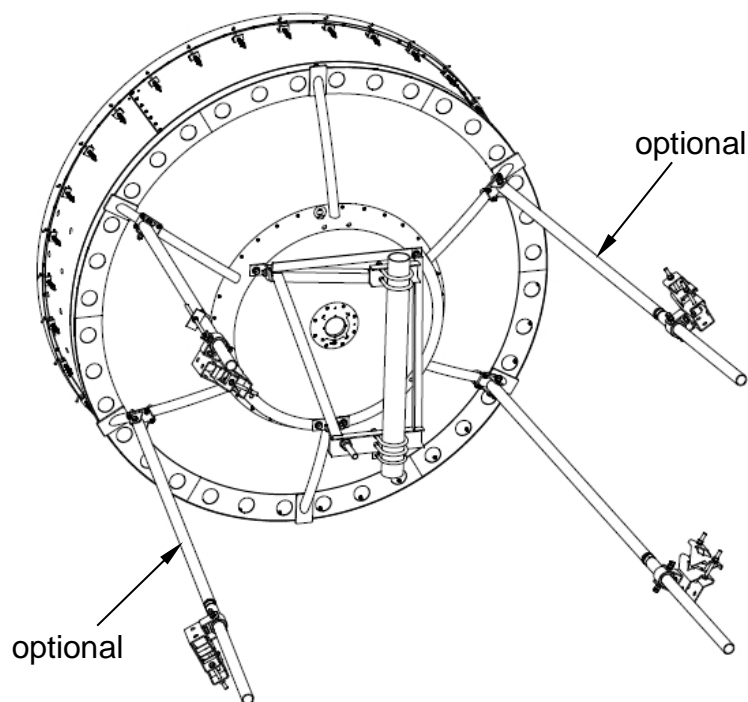
Model ASB-8-S2 - Optional Anti-Sway bar for 8ft/2.4m and 10ft/3.0m diameter -S2 Antenna

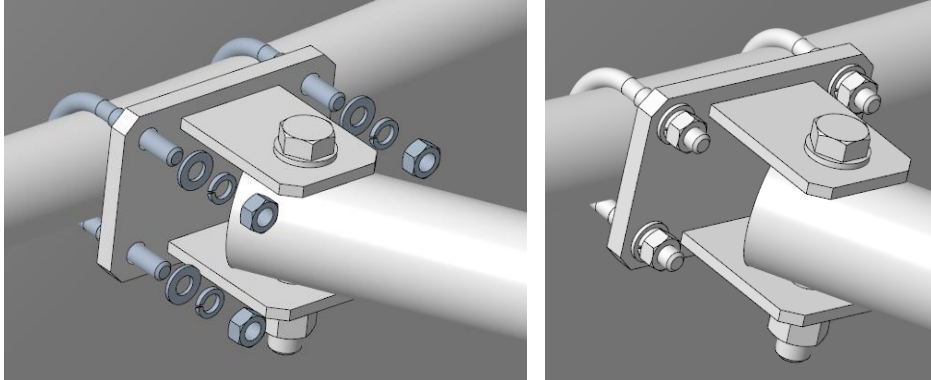
1. Overview



2. Installation Instructions

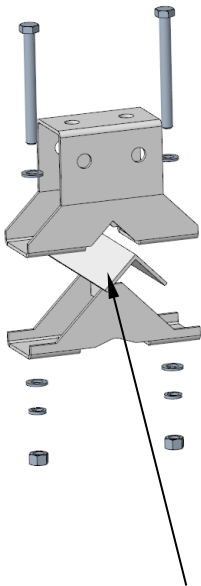
2.1) Install optional anti-sway bars to the antenna as shown below.





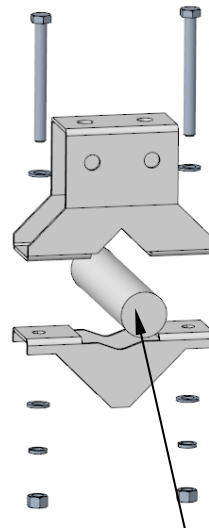
Detail: Antenna to Anti-Sway bar attachment

2) Tower/Structure Pole or Angle steel range limitations are shown below



Dimension range of Pole to be attached
(40*40~125*125 mm)

Angle steel installation



Dimension range of Pole to be attached
(Φ 51~ Φ 120mm)

Pole installation