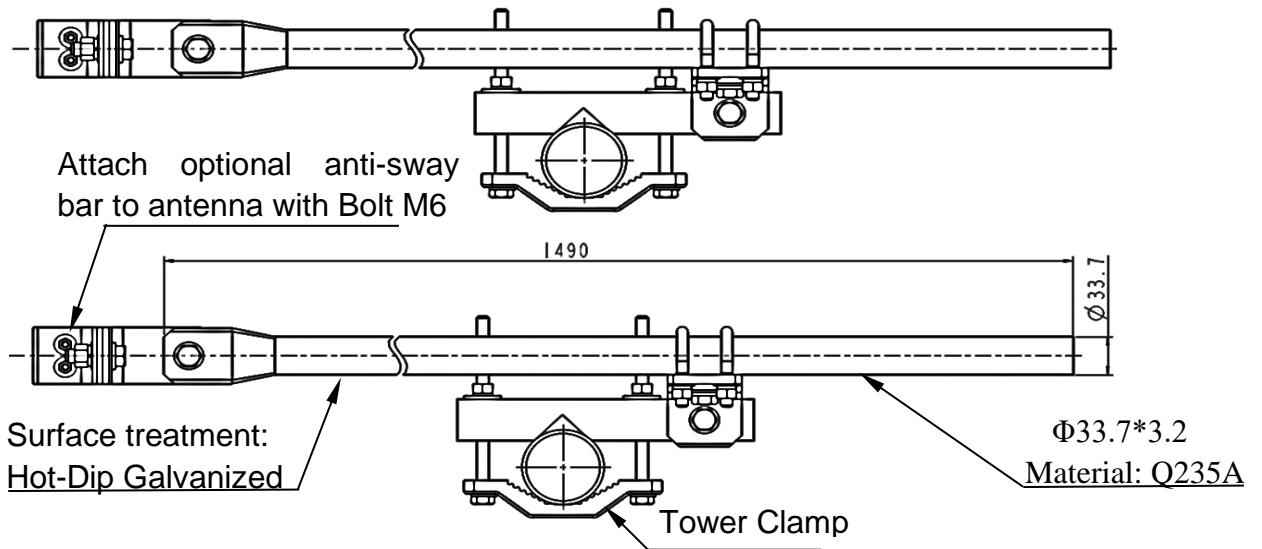


Installation Instructions

Model ASB-4-S2 - Optional Anti-Sway bar for 3ft/.9m and 4ft/1.2m diameter -S2 Antenna

1. Overview



2. Installation Instructions

2.1) Install optional anti-sway bars to the antenna as shown below.

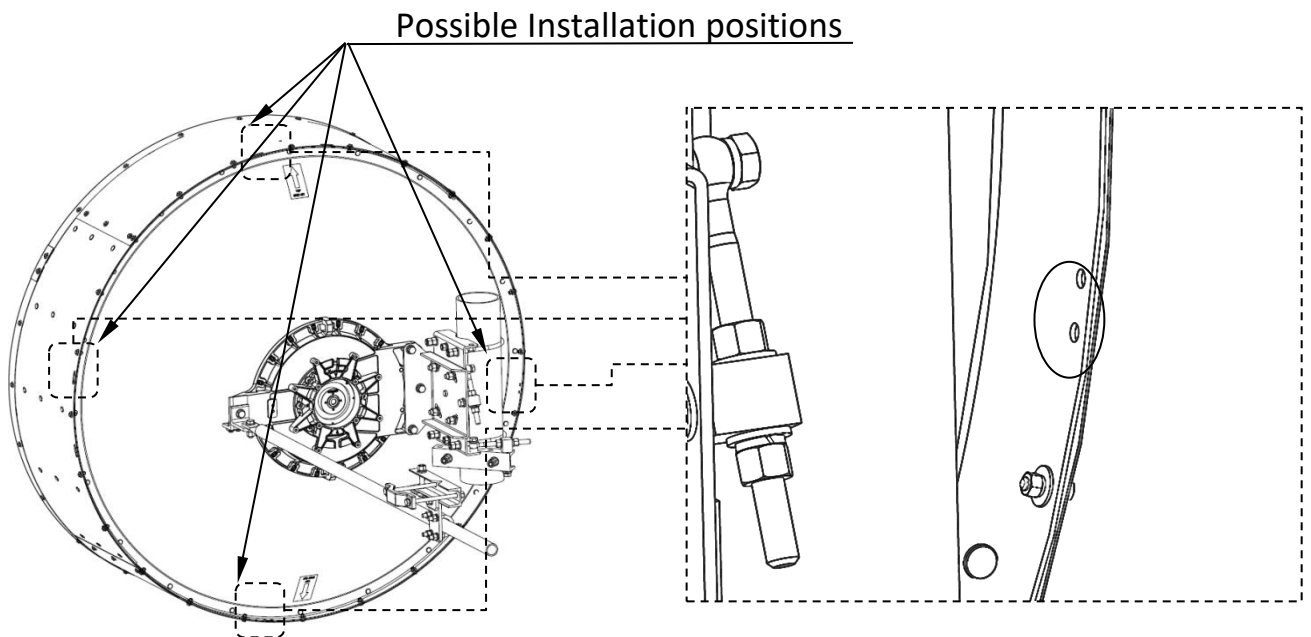
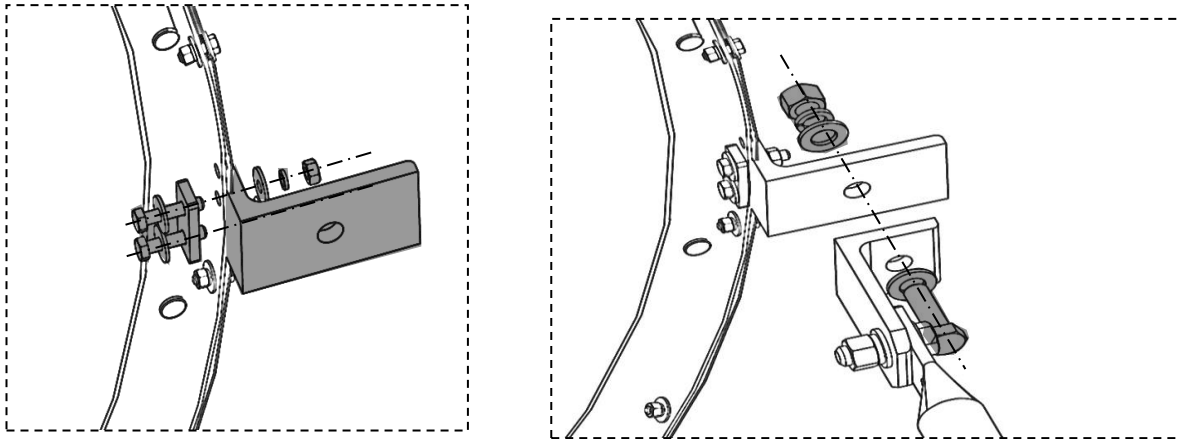
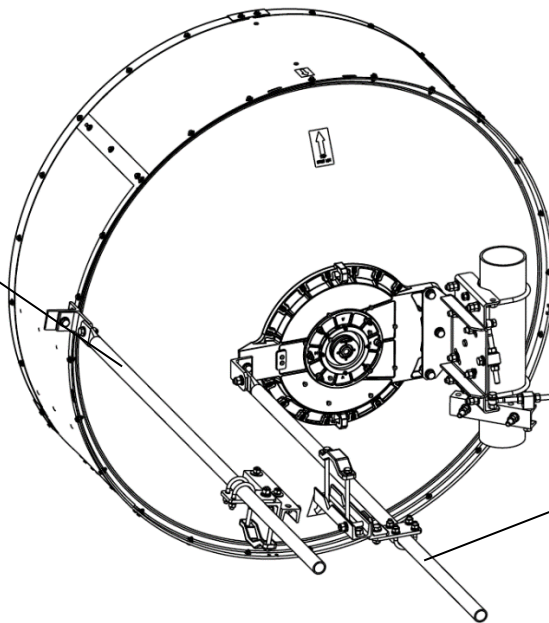


Figure 1

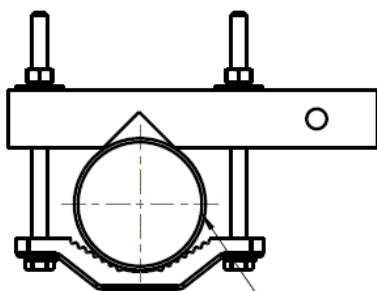


The optional anti-sway bars can be installed in the locations on the outside rim as shown in Figure 1.



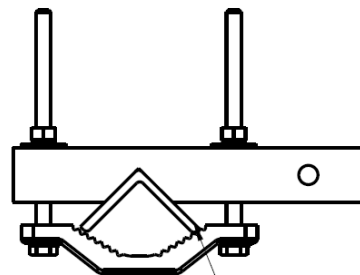
Anti-sway bar provided with the antenna

2) Tower/Structure Pole or Angle steel range limitations are shown below (mm)



Dimension range of pole to be attached (Ø50~Ø114)

Pole installation



Dimension range of angle steel to be attached (56*56~80*80)

Angle steel installation