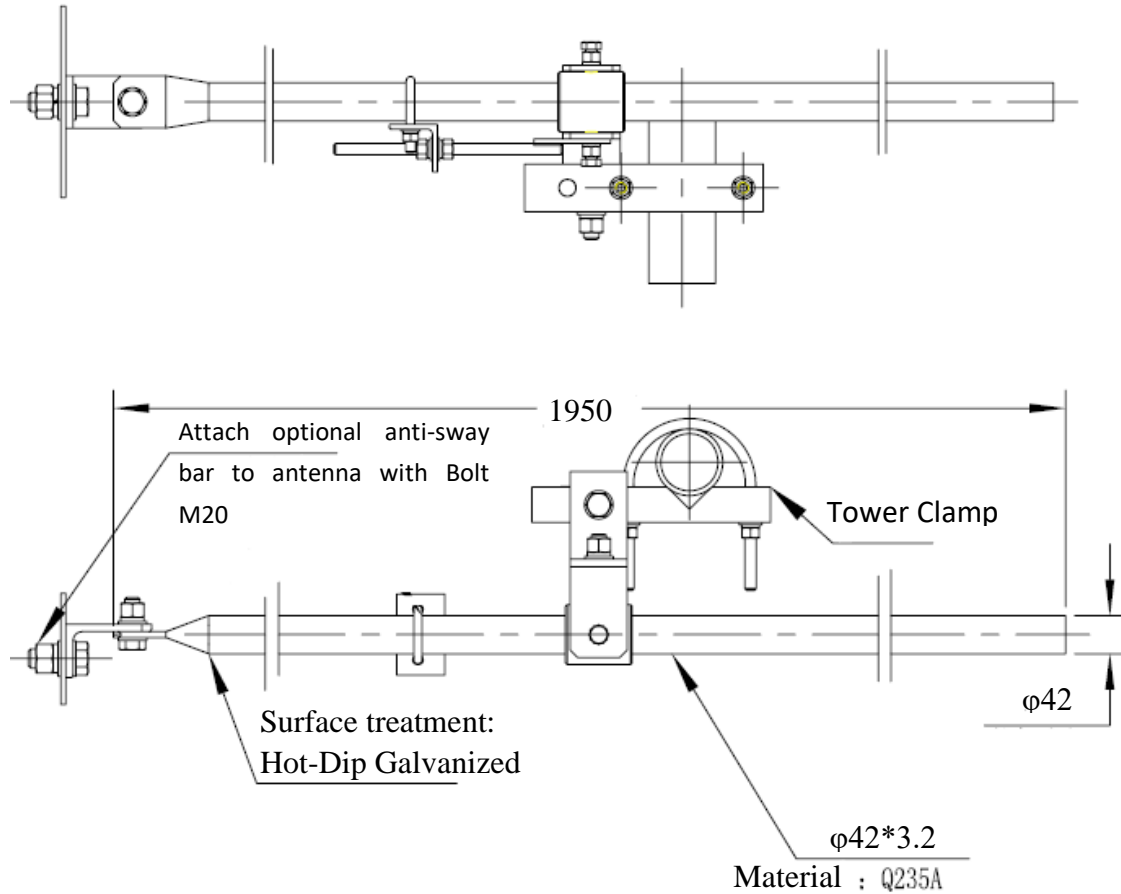


Installation Instructions

Model ASB-6-S2 - Optional Anti-Sway bar for 6ft/1.8m diameter -S2 Antenna

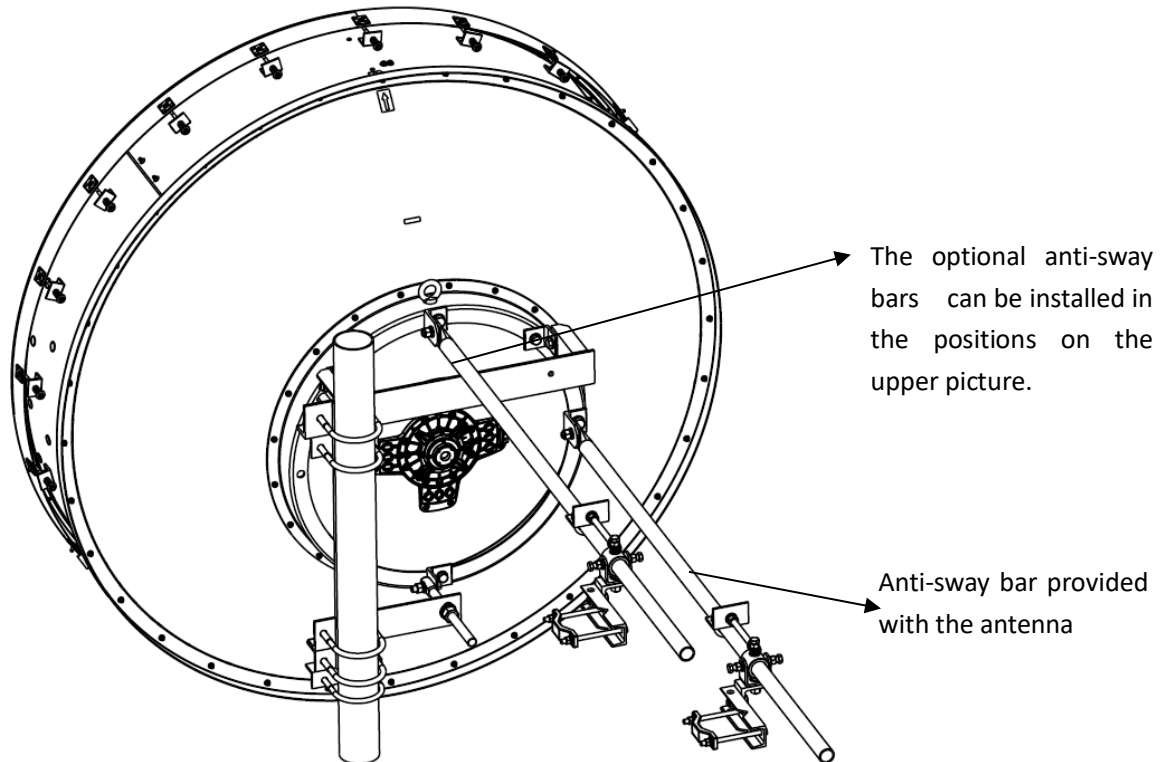
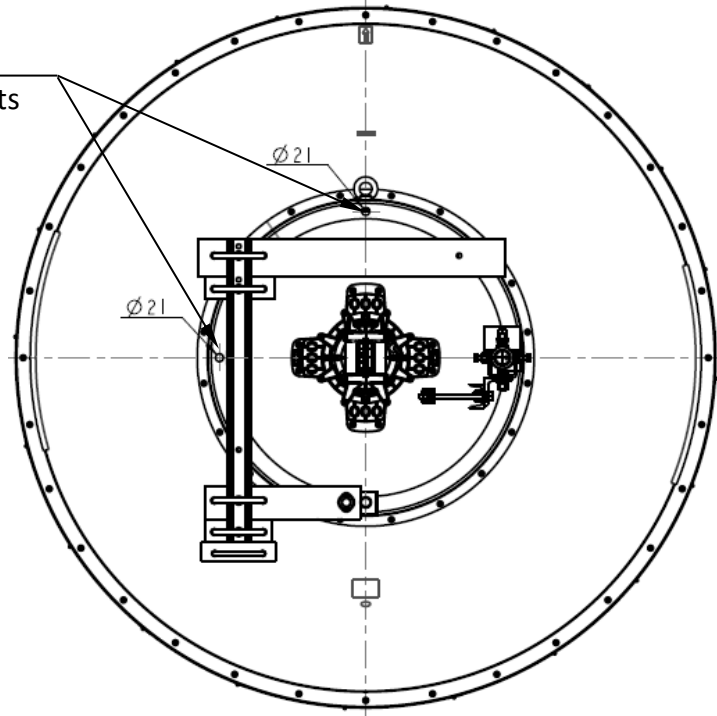
1. Overview



2. Installation Instructions

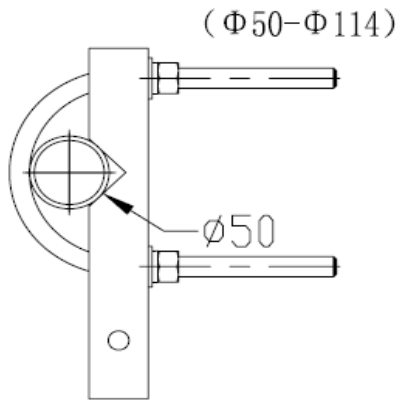
2.1) Install optional anti-sway bars to the antenna as shown below.

Installation
positions for
optional struts



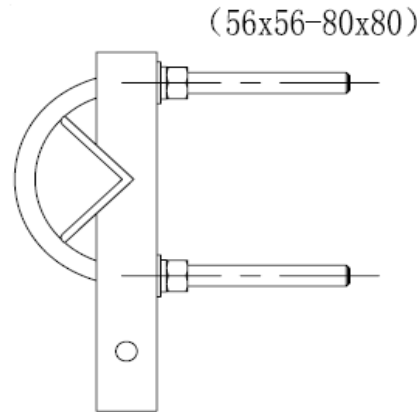
2) Tower/Structure Pole or Angle steel range limitations are shown below

Dimension range of pole
to be attached (mm)



Pole Installation

Dimension range of angle
steel to be attached (mm)



Angle Steel Installation