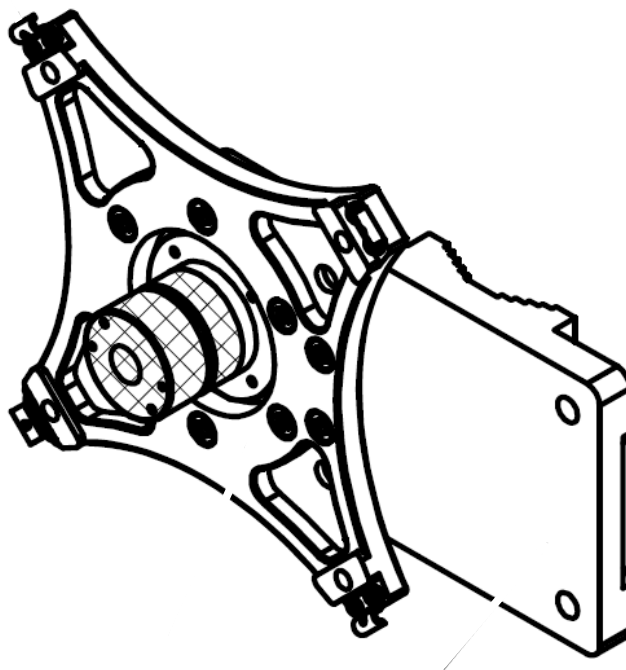




ODU REMOTE MOUNT MODEL HP-MNT-XX

Installation Manual



Please read the manual completely and carefully before installation.
Instructions are intended for qualified and experienced personnel.

Table of Contents

Table of Contents **2**

Information **3**

 Regulatory Information 3

 Warranty Information 3

 Contact Information 3

1.0 Overview **4**

 Packing List: 5

2.0 Mounting **6**

Appendix A- Waveguide Detail **11**

Change History

Rev 1.0 Initial Release

Rev 2.0 Update

- Add HP2-MNT-6-WR137
- Add HP-MNT-11-WR90
- Update WG Flange data table
- Add WG Flange Diagram Appendix to back of manual

Rev 3.0 Update

- Corrected threaded holes on flanges in Appendix A
- Added picture to front page

Information

Regulatory Information

This product, when installed properly with an approved Outdoor Unit (ODU) is designed to meet the following standards.

- EN60950-1
- EN60950-22
- FCC Part 101
- EN 302 217-x

Warranty Information

This product is warranted for two years from date of purchase. Visit the Trango Systems Web site for a complete description of warranty coverage and limitations.

Contact Information

Trango Systems, Inc.
14118 Stowe Drive, Suite B
Poway, California 92064
USA

Telephone: +1 (858) 391-0010

Fax: +1 (858) 391-0020

Web: www.trangosys.com

1.0 Overview

Thank you for purchasing a remote mount for your Outdoor Unit (ODU). This mount has been designed and manufactured to the highest standards and will provide years of trouble free service if installed correctly. Please review and follow this installation manual.

The mount is designed for mounting an ODU to a tower leg or pole near the antenna. The ODU is latched onto the mount one on side and a rectangular waveguide port is available on the other side. The connection to the antenna is made with flex waveguide (not included) attached to the waveguide port.

This Manual covers the following models:

Model	Usable Freq (GHz)	Flex WG	WG Flange Style
HP-MNT-6-WR137*	5.9 to 7.1	WR137	UDR70 (CPR137F)
HP2-MNT-6-WR137**	5.9 to 7.1	WR137	UDR70 (CPR137F)
HP-MNT-78-WR112	7.1 to 8.5	WR112	UDR84 (CPR112F)
HP-MNT-11-WR90	10.7 to 11.7	WR90	UDR100 (CPR90F)
HP-MNT-11-WR75	10.7 to 11.7	WR75	UBR120
HP-MNT-13-WR75	12.7 to 13.3	WR75	UBR120
HP-MNT-15-WR62	14.4 to 15.4	WR62	UBR140
HP-MNT-18-WR42	17.7 to 19.7	WR42	UBR220
HP-MNT-23-WR42	21.2 to 23.6	WR42	UBR220
HP-MNT-26-WR42	24.2 to 26.5	WR42	UBR220
HP-MNT-38-WR28	37.0 to 40.0	WR28	UBR320

* Compatible with HP and HP1 ODU/ ApexPlus models

** Compatible with HP2 ODU/ ApexPlus models

ODU Compatibility: All HP-MNT remote mounts are compatible with all ODUs and Full Outdoor Units utilizing the HP style direct mount latch system. Ensure that the ODU frequency band of operation matches the remote mount frequency range as shown above.

Below is a list of the parts that are included in the packing box. Please check to ensure that all the parts are present. If anything is missing please contact your Trango sales representative immediately.

Packing List:

Item	Description	Quan
1	Remote ODU mount	1 pcs
2	Pole Mount Brackets	1 set
3	Hex Bolt M10 x 150mm for Pole Mount brackets	4 pcs
4	Hex Nut M10 for Pole Mount brackets	4 pcs
5	Lock Washer M10 for Pole Mount brackets	4 pcs
6	Cap Screw M4x16 (-06), M4x12 (-78), M4x10mm (-11,-13,-15) or M3 x 10mm (-18, -23, -26,-28) for Waveguide	4-8 pcs*
7	Lock Washer M4 or M3 to match Cap Screw	4 pcs*
8	Flat Washer M4 or M3 to match Cap Screws	4 pcs*
9	O-ring	2 pcs
10	Silicone grease	1 packet
11	Anti-Seize	1 packet

* -06, -78, -11 models come with 8 pcs each



2.0 Mounting

Step 1: Attach the bracket to the Pole

From the mounting kit, first attach the mounting bracket to the pole close to the antenna using the 4 M10x150mm bolts, lock washers and nuts as shown in Figures 1 through 3.

Ensure that the nuts are tightened but not over torqued. The Anti-seize may be used with the bolts to prevent binding of the stainless steel bolts/nuts while tightening. Apply the grease to the threads of the stainless bolts, and make sure that the bolts are not over torque or tightened too quickly.

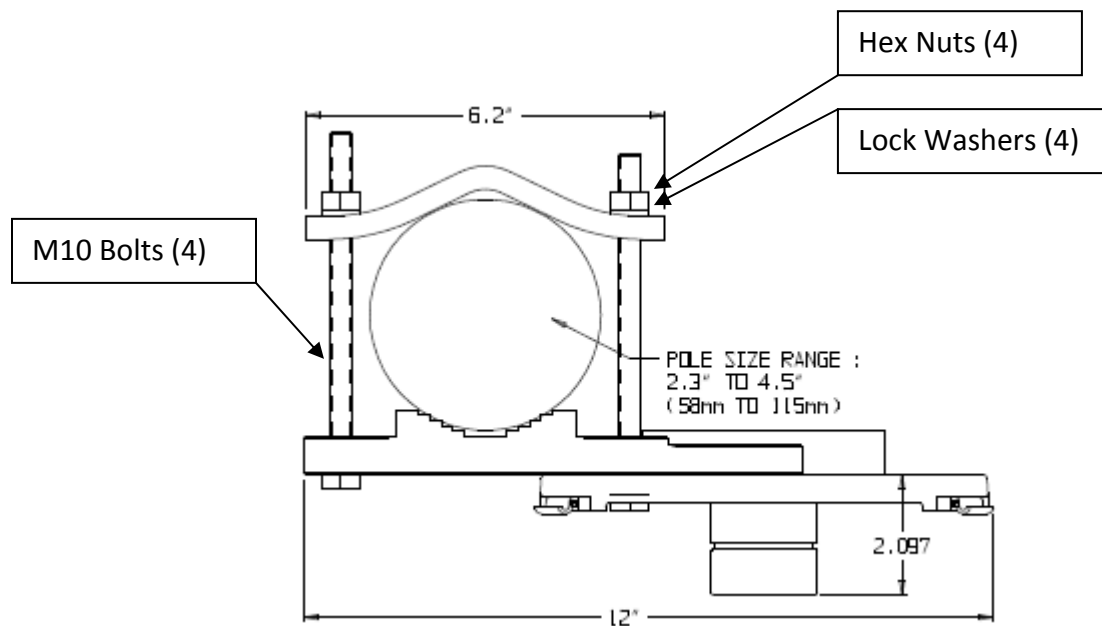


Figure 1- Top View.

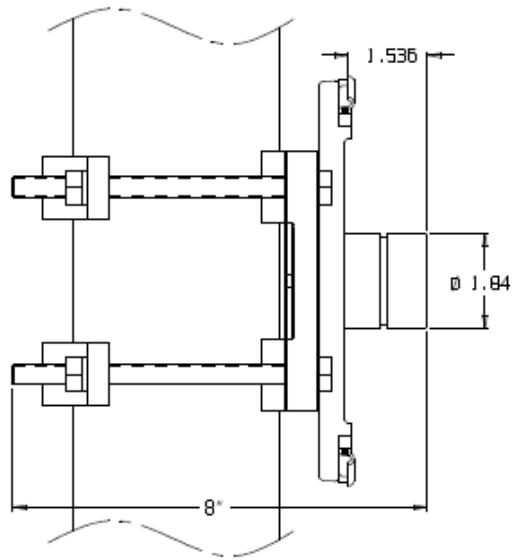


Figure 2 – Side View.

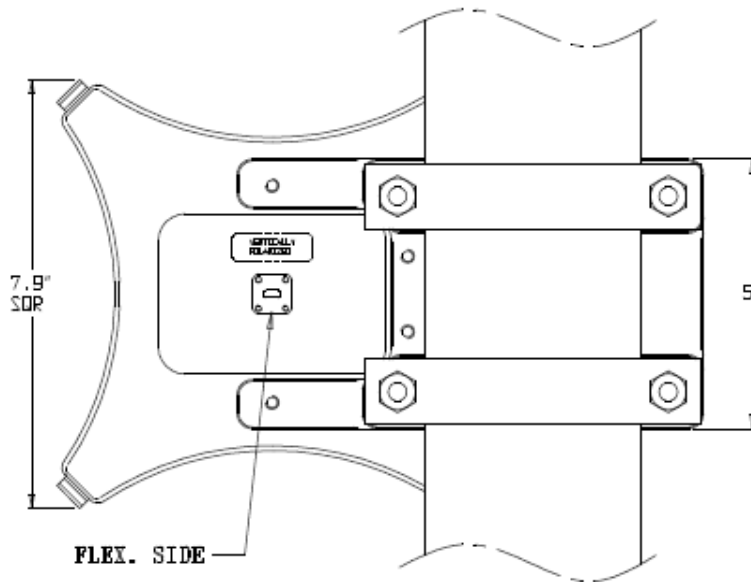


Figure 3- Flex waveguide opening

Step 2: Install the O-Ring

Install the O-ring onto the ODU waveguide transition in the groove. Ensure the O-ring is seated properly as shown below. Add silicone grease around the O-ring before installing the ODU to prevent tearing the O-ring. (A spare O-ring is included.)



Step 3: Attach the flex waveguide

Install the waveguide flange onto the Remote mount using the supplied M4 or M3 cap screws and flat/lock washers as shown below. **Ensure that the flange interface has an appropriate gasket or O-ring (not supplied) to prevent water intrusion.** Tighten the cap screws into place



Step 4: Attach the ODU onto the remote mount.

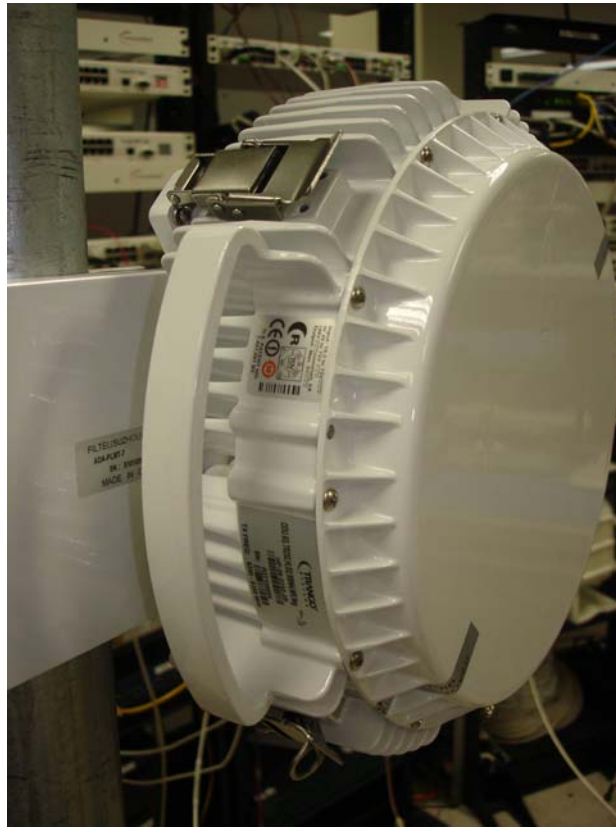
Install the ODU onto the remote mount and latch it in place as shown below.

ENSURE THAT THE WAVEGUIDE ORIENTATION IS MATCHING TO PREVENT CROSSPOLARIZING THE ODU.

The mount has a label indicating the vertical polarization and the ODU should be mounted such that the arrow on the ODU case is oriented in the same direction as the arrow on the mount and the cable connectors are towards the ground as shown in the pictures below.



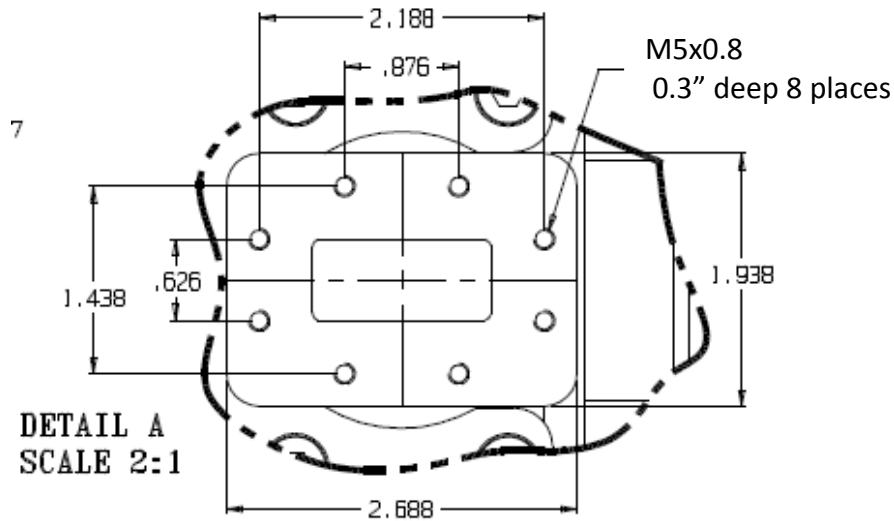
Polarization label



The installation is now complete.

Appendix A- Waveguide Detail

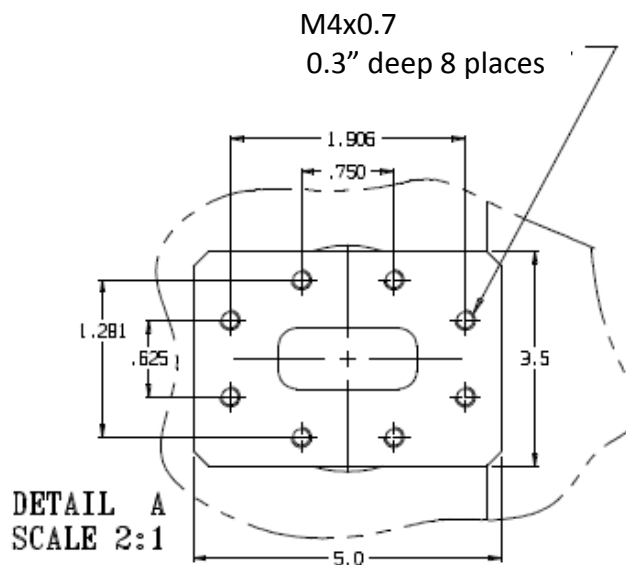
The diagrams below show the mounting pattern detail for all the waveguide flanges used on the remote mounts. Ensure that mating waveguide flanges have a gasket or O-ring installed to prevent moisture from entering the waveguide.



DETAIL A
SCALE 2:1

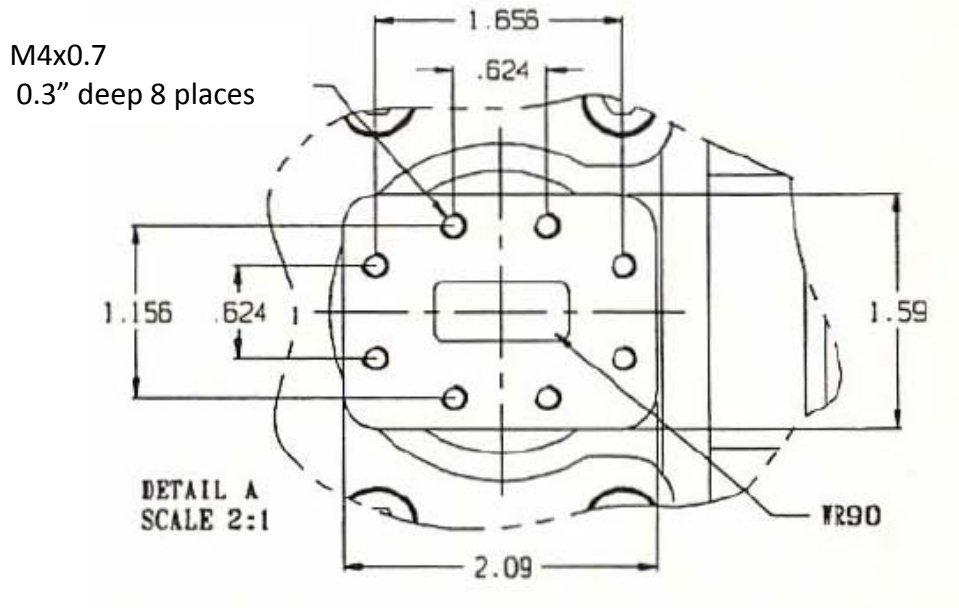
HP-MNT-06-WR137
HP2-MNT-06-WR137

Designed to mate with PDR70 or CPR137G Flange

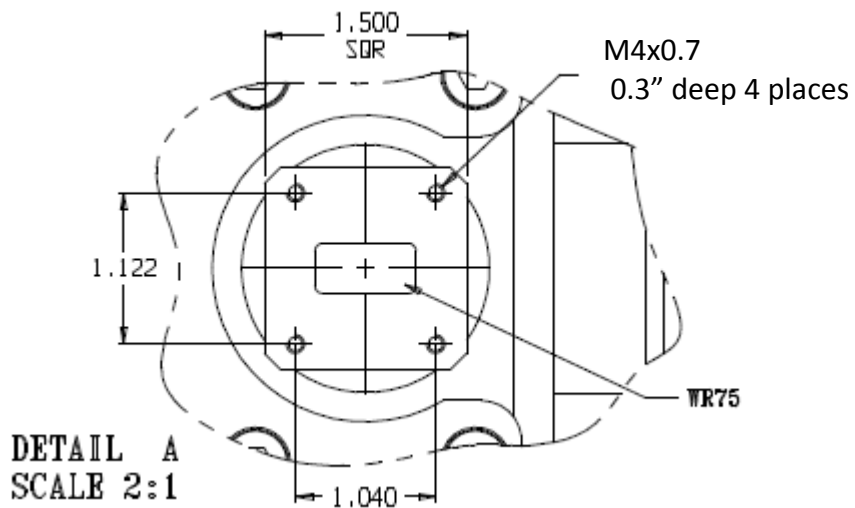


DETAIL A
SCALE 2:1

HP-MNT-78-WR112 -Designed to mate with PDR84 or CPR112G Flange

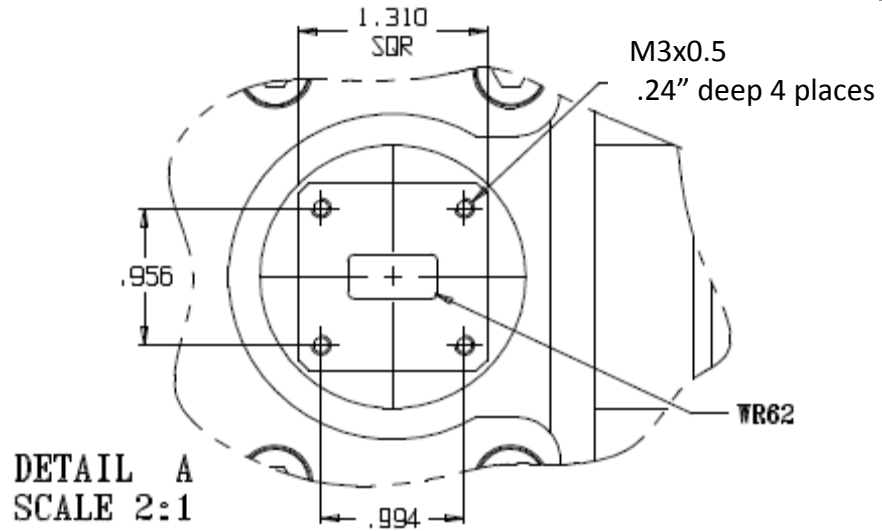


HP-MNT-11-WR90 Designed to mate with PDR100 or CPR90G Flange

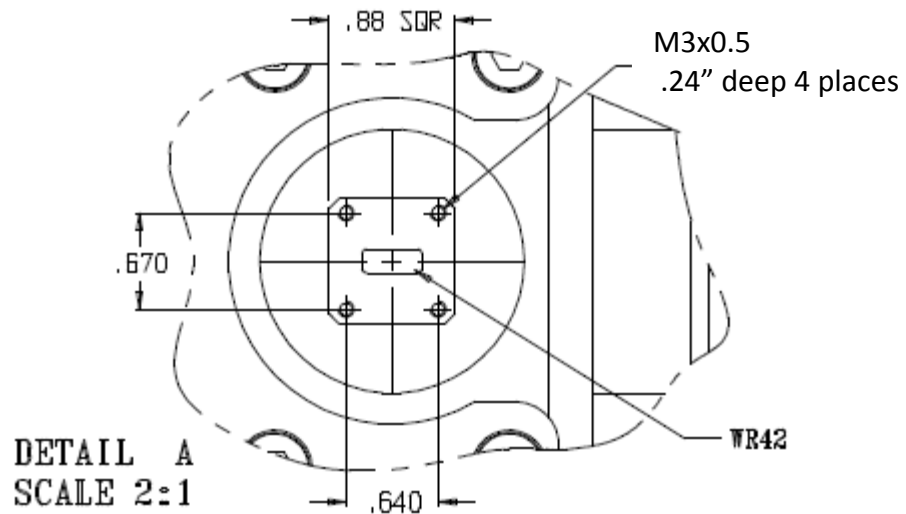


HP-MNT-11-WR75
HP-MNT-13-WR75

Designed to mate with PBR120 Flange

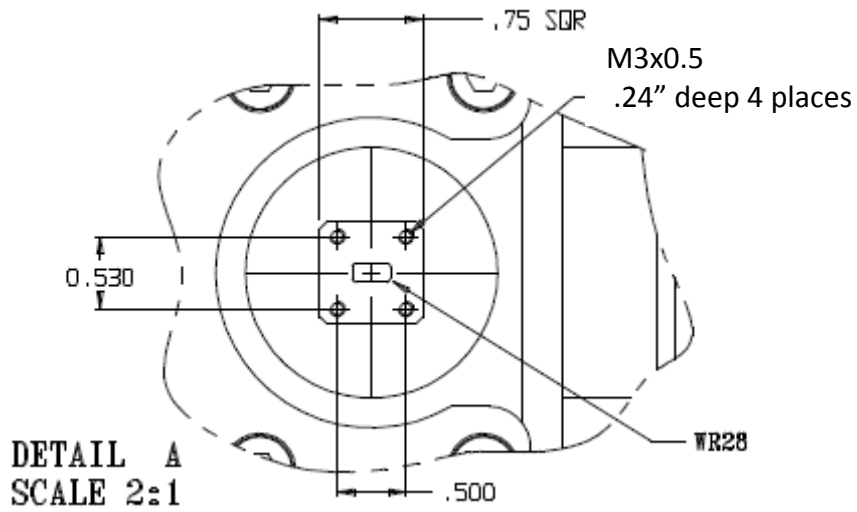


HP-MNT-15-WR62 Designed to mate with PBR140 Flange



- HP-MNT-18-WR42
- HP-MNT-23-WR42
- HP-MNT-26-WR42

All Designed to mate with PBR220 Flange



HP-MNT-38-WR28 -Designed to mate with PBR320 Flange