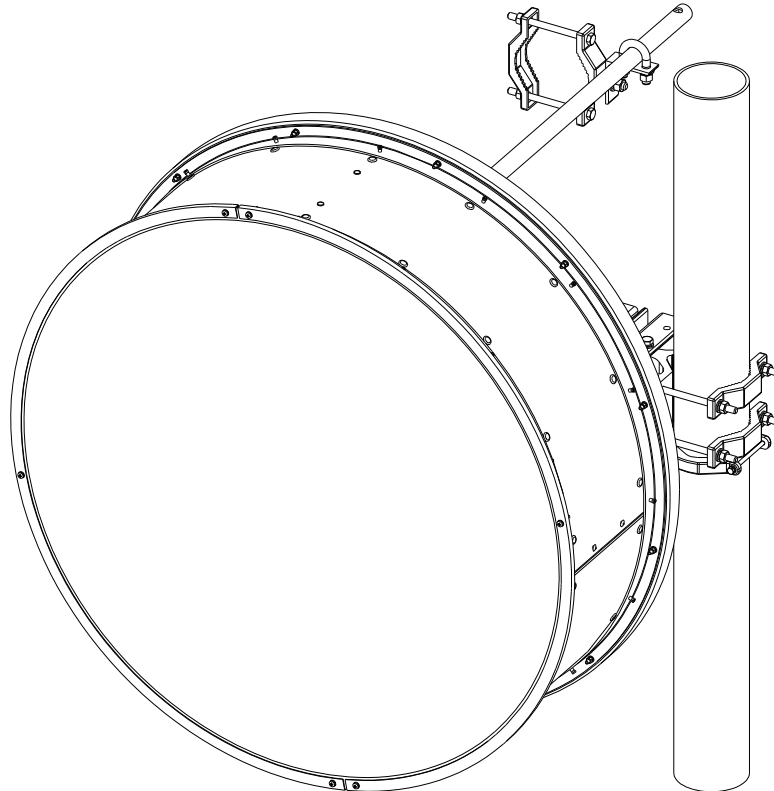


Installation Instructions

For 3 foot / 0.9m Diameter Ultra-high Performance Antenna

Model ADxxG-3-T2 (6GHz)



Before Installation, please read the instruction carefully.

- ◆ This instruction book is for the installation of 0.9m ultra-high performance microwave antenna.
- ◆ Installation, maintenance and removal of antenna are suggested being carried out by a qualified experienced personnel.
- ◆ To guarantee performance, the antenna is suggested being inspected once a year by a qualified personnel.

CONTENTS

1. Installation Preparation	1
2. Open the Package and Identify Parts	1
3. Mount Feeder	2
4. Mount Reflector Assembly	2
5. Mount Transition Section.....	3
6. Mount Hanger Frame	3
7. Mount Anti-skid Bracket	4
8. Mounting to the Pole.....	4
9. Mount Sway Bar	5
10. Antenna Installation	5
11. Adjustment.....	6
12. Antenna Assembly Finishing	7
13. Mechanical Dimensions.....	8

1. Installation Preparation

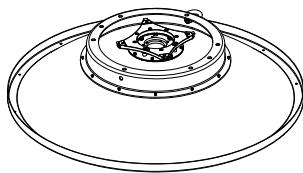
1.1 Mounting Pole

The antenna must be attached to the Mounting Pole (self-feed) of diameter approximately 4.5 inches (114 mm).

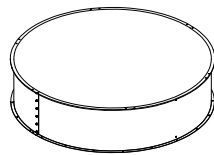
1.2 Tools Required for Installation

Table of Tools				
Item	Tool	Description	QTY	
1	Open-end Spanner	10-14mm	1	
2	Open-end Spanner	17-19mm	1	
3	Open-end Spanner	22-24mm	1	

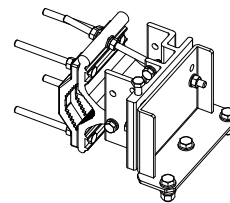
2. Open the Package and Identify Parts



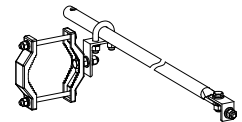
Reflector Assembly (1 set)



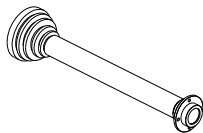
Shroud Assembly (1 set)



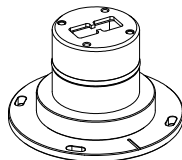
Hanging Bracket (1 set)



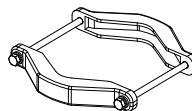
Sway Bar (1 set)



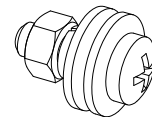
Feeder (1 set)



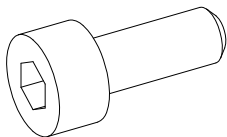
Transition Section (1 set)



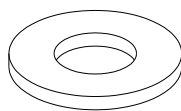
Anti-skid Bracket (1 set)



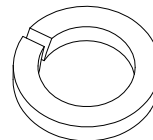
Bolt M6X20 (13 pcs)



Bolt M4X12 (8 pcs)



Flat Washer Φ 4 (4 pcs)



Spring Washer Φ 4 (4 pcs)



Vaseline (1 pc)



3mm L-Spanner

Fig 2.1 Parts List

3. Mount Feeder

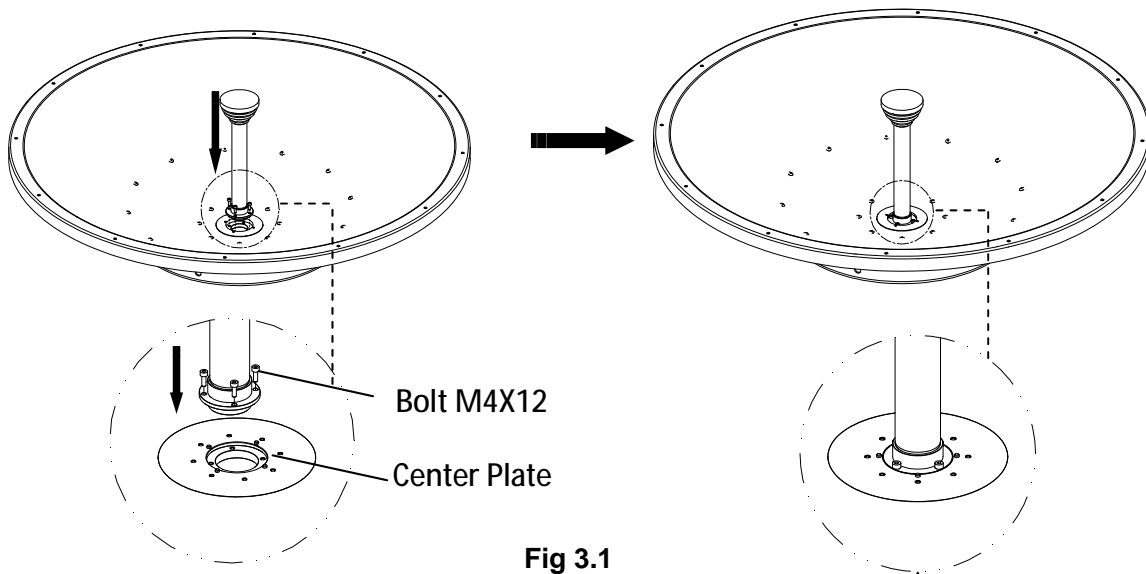


Fig 3.1

3.1 Put Feeder into the Center Plate, and then tighten bolts (shown in Fig 3.1). Ensure that the feed is seated properly before tightening the bolts.

4. Mount Reflector Assembly

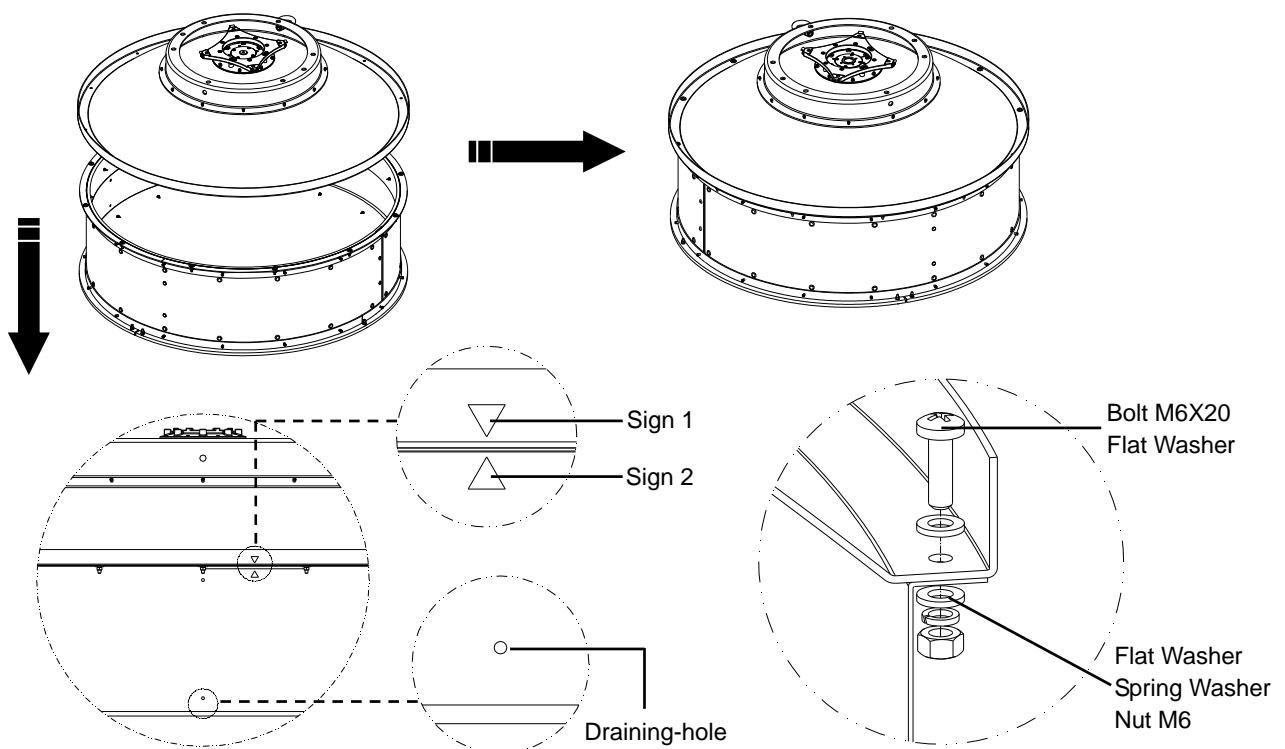


Fig 4.1

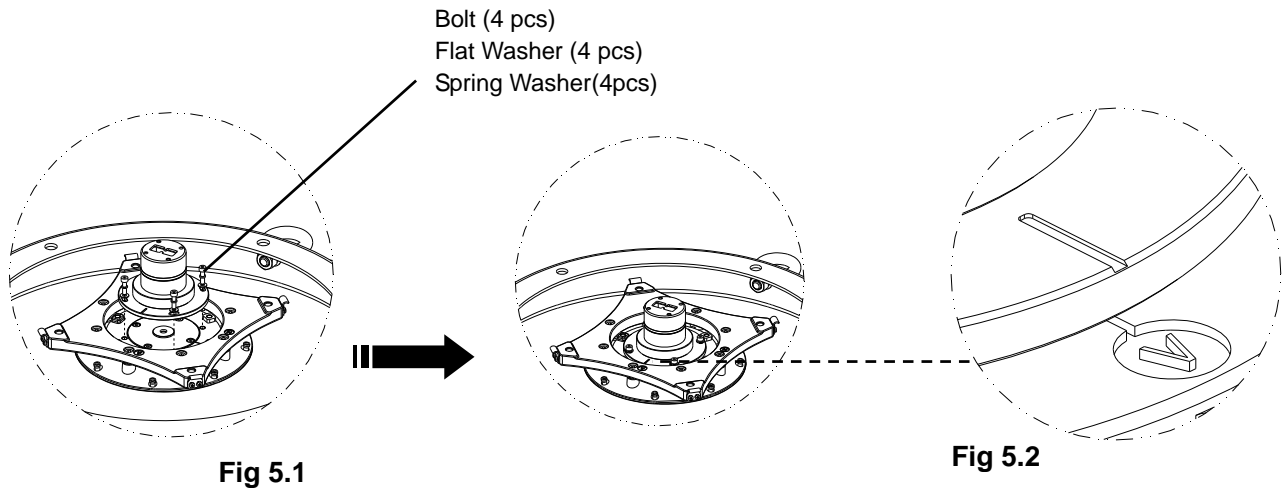
Fig 4.2

4.1 Turn the Reflector Assembly over, and then fit it onto the Shroud Assembly with Sign 1 and Sign 2 aligned (shown in Fig 4.1).

4.2 Use M6X20 Bolt, Flat Washer, Spring Washer and Nut (12pcs) to connect Reflector Assembly with Shroud Assembly (shown in Fig 4.2).

4.3 Tighten all the standard parts.

5. Mount Transition Section

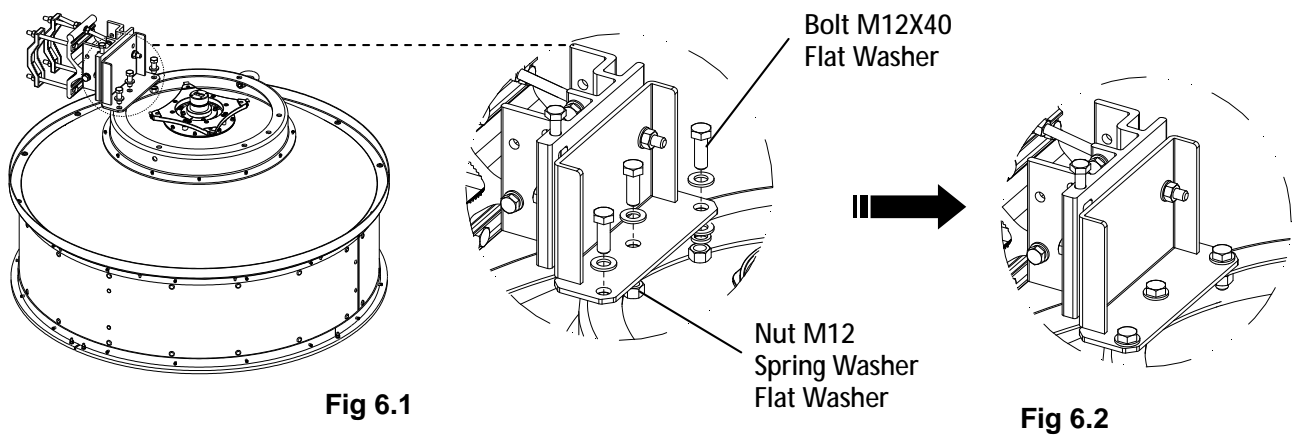


5.1 Put Transition Section into the Center Plate, and make sure it is in the vertical polarization (shown in Fig 5.2).

5.2 Use bolt (4 pcs) to connect these two parts (shown in Fig 5.1).

5.3 Tighten all the standard parts (shown in Fig 5.2).

6. Mount Hanger Frame



6.1 Put Hanger Frame into the Center Plate, and then use M12X40 bolt to connect these two parts (shown in Fig 6.1).

6.2 Tighten all the standard parts (shown in Fig 6.2).

7. Mount Anti-skid Bracket

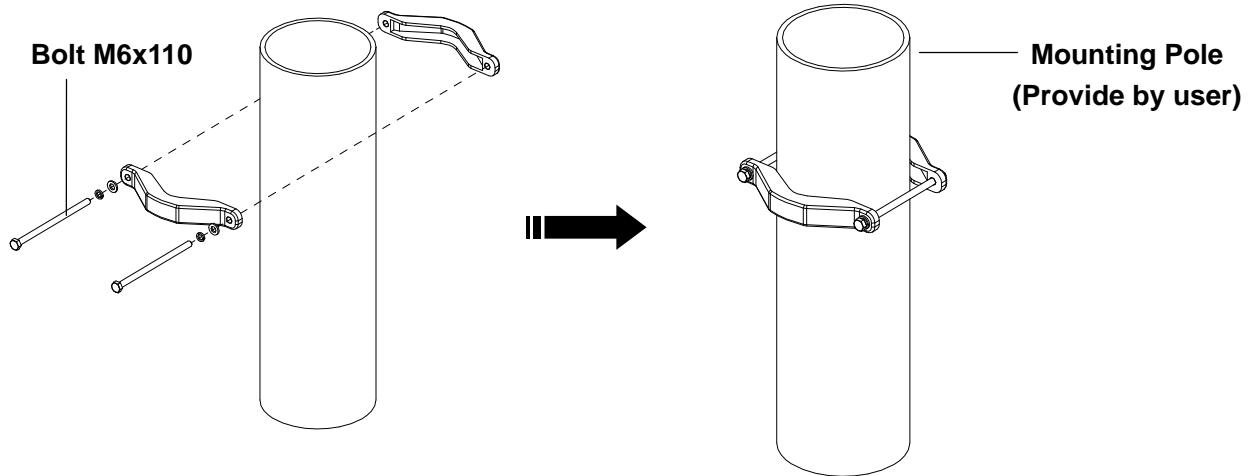


Fig 7.1

Anti-slide Bracket could be mounted to the Mounting Pole($\varnothing 50 \sim \varnothing 114$) in a way shown in Fig 7.1. Make sure tighten the two M6x110 bolts after fixing the position.

8. Mounting to the Pole

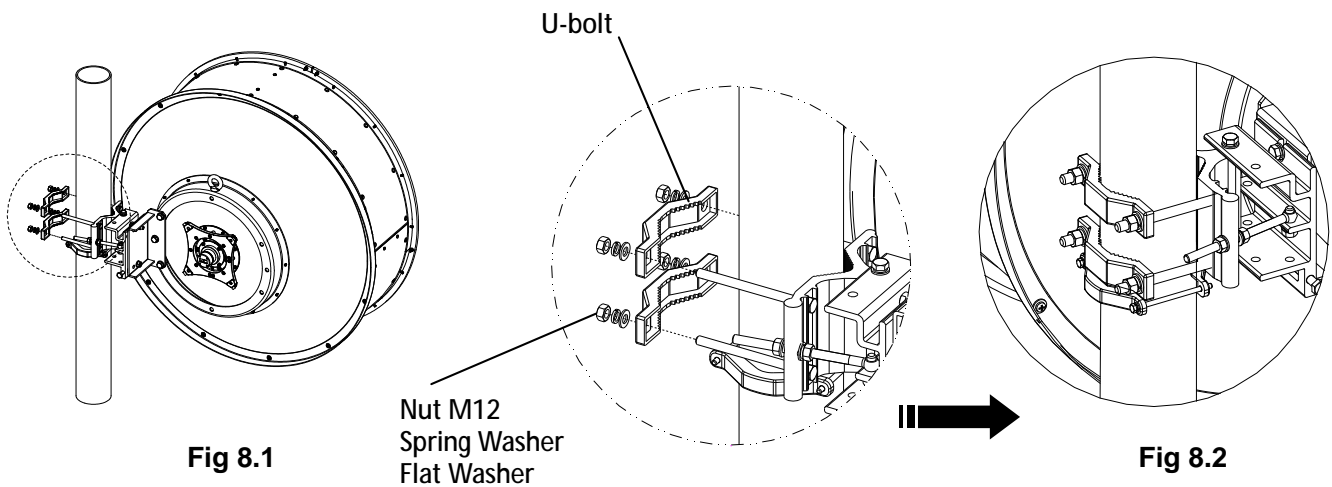


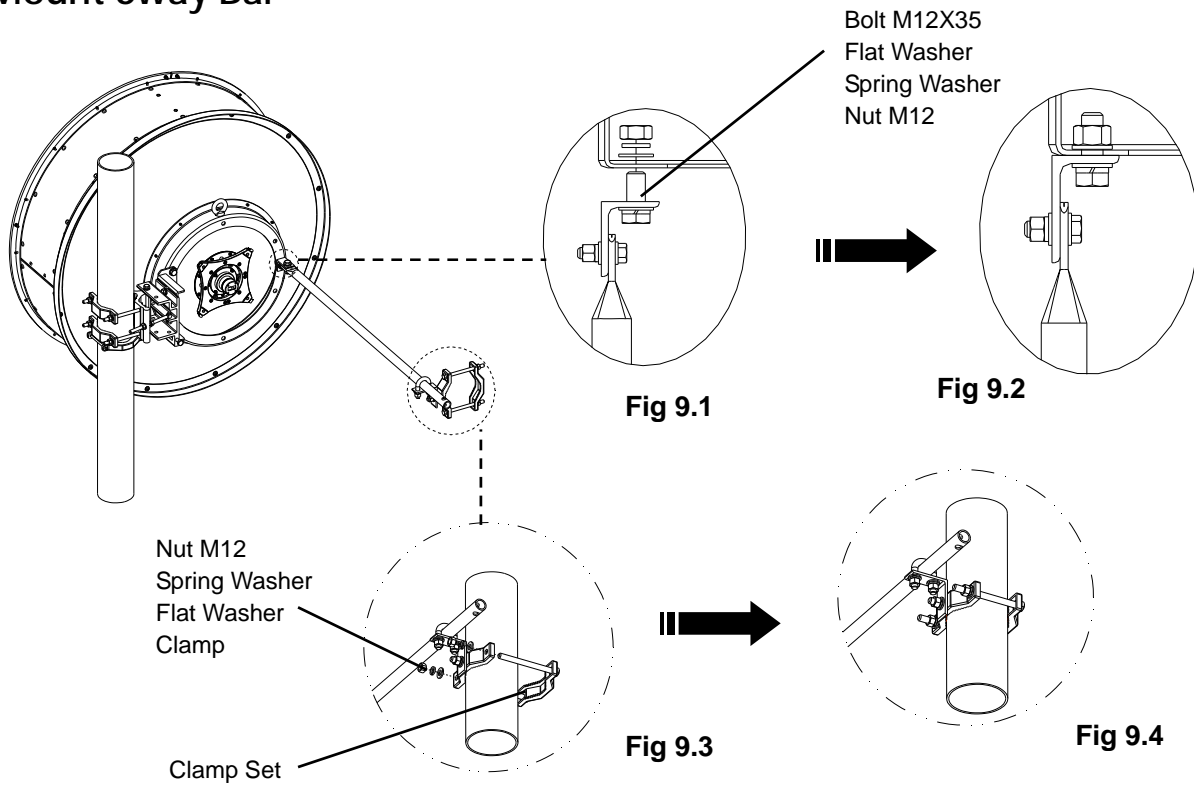
Fig 8.1

Fig 8.2

8.1 Mount antenna to the pole by 2 U-bolts (shown in Fig 8.1).

8.2 Tighten all the standard parts (shown in Fig 8.2).

9. Mount Sway Bar



9.1 Use M12X35 bolt to connect Sway Bar with antenna's Back Ring (shown in Fig 9.1).

9.2 Fix Clamp Set to the tower.

9.3 Tighten all the standard parts (shown in Fig 9.2 & Fig 9.4).

10. Antenna Installation

Customer could install the antenna either on the left hand or right hand sides of the pole (shown in Fig 10.1).

Left-hand installation view

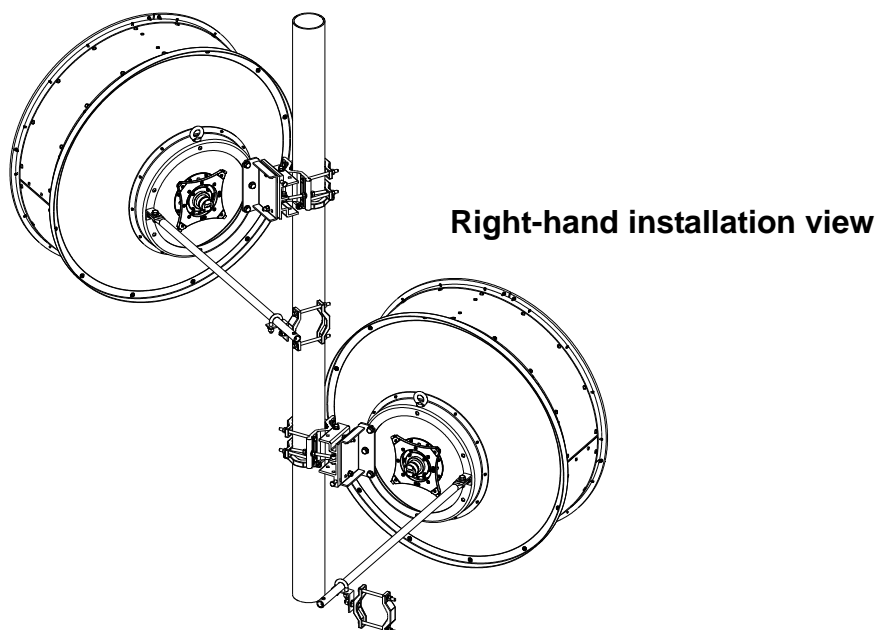


Fig 10.1

11. Adjustment

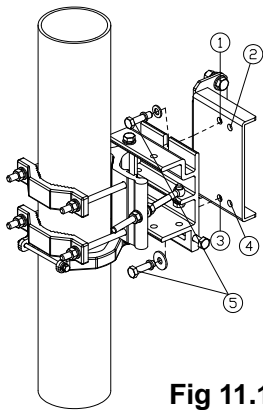


Fig 11.1

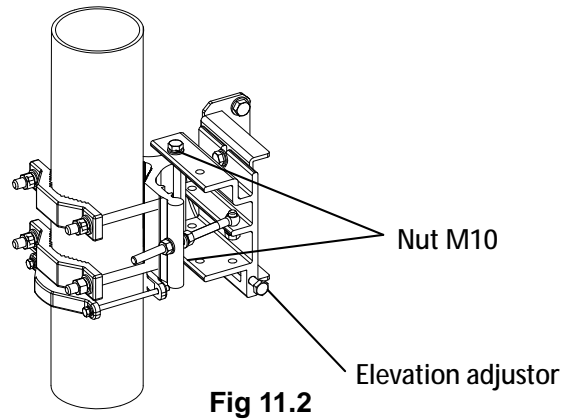


Fig 11.2

11.1 Elevation Adjustment

Make coarse elevation adjustment (shown in Fig 11.1): loosen the bolts (No.5). Use ① & ④ thread holes, antenna can make elevation adjustment from -25° to $+5^{\circ}$. Use ② & ③ thread holes, antenna can make elevation adjustment from -5° to $+25^{\circ}$. Tighten all the standard parts after the adjustment is done.

Make elevation adjustment (shown in Fig 11.2): loosen the nuts M10, and then rotate Elevation Adjustor clockwise or counterclockwise. Antenna can make fine elevation adjustment from -15° to $+15^{\circ}$, tighten all the standard parts after the adjustment is done.

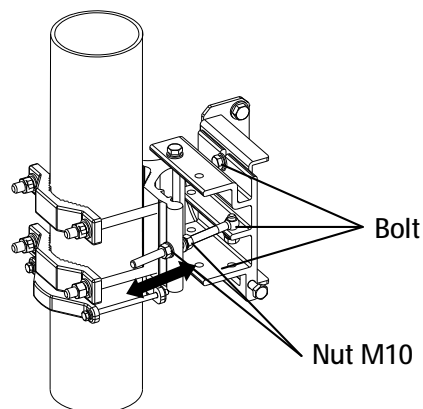


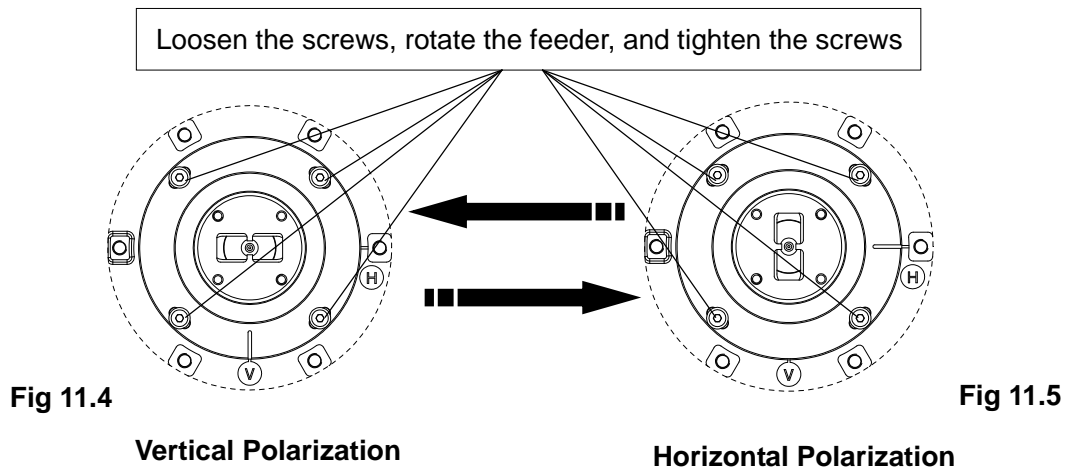
Fig 11.3

11.2 Azimuth Adjustment

Make azimuth adjustment in the following way (shown in Fig 11.3): loosen bolts, and then adjust nuts M10 of Azimuth Adjustor back and forth slowly. Antenna can make fine azimuth adjustment from -15° to $+15^{\circ}$; tighten all the standard parts after the adjustment is done.

11.3 Polarization Adjustment

This model of microwave antenna provides either vertical or horizontal polarization options. By default the vertical polarization is adopted, as shown in Fig 11.4. Should customer need alternative configuration, it could be switched and adjusted according to Fig 11.4 ~ Fig 11.5.



12. Antenna Assembly Finishing

- 12.1 Tighten all the standard parts after antenna assembly/alignment is done, following recommended torque specs (refer to the chapter 1.2).
- 12.2 Keep the antenna's bottom drain hole open, but leave the top two sealed (shown in Fig 12.1).
- 12.3 **Do not mount the antenna during rainy weather or when thunderstorms are nearby**
- 12.4 The antenna should be inspected once a year by qualified personnel.

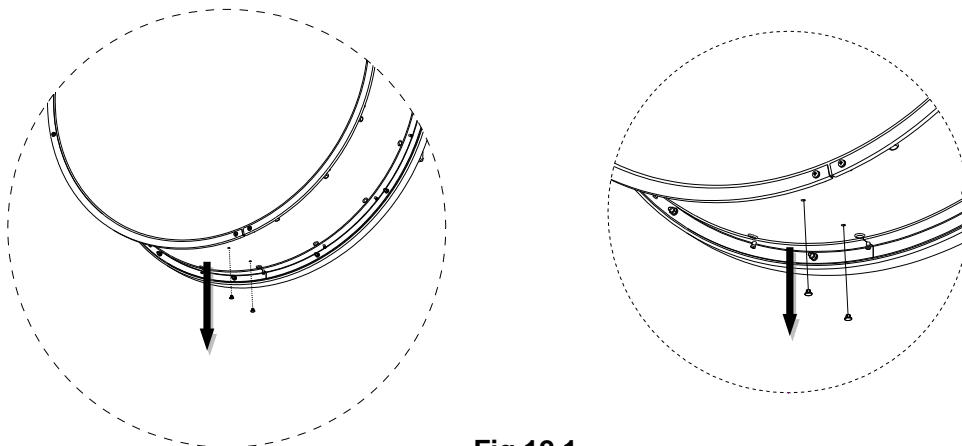
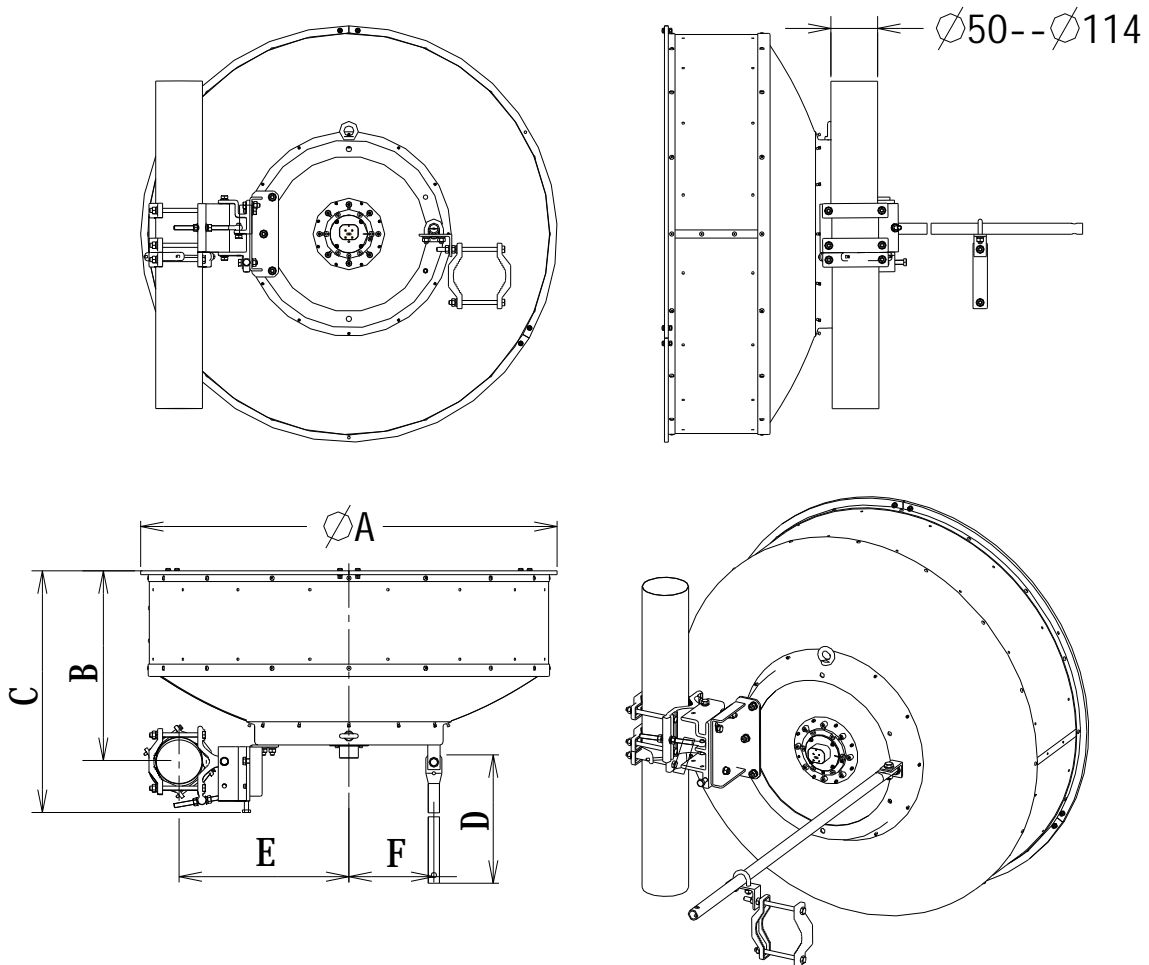


Fig 12.1

13. Mechanical Dimensions



Dimensions (in / mm)	
A	40.16 / 1020
B	18.3 / 465
C	23.23 / 590
D	39.37 / 1000
E	16.42 / 415
F	8.27 / 210