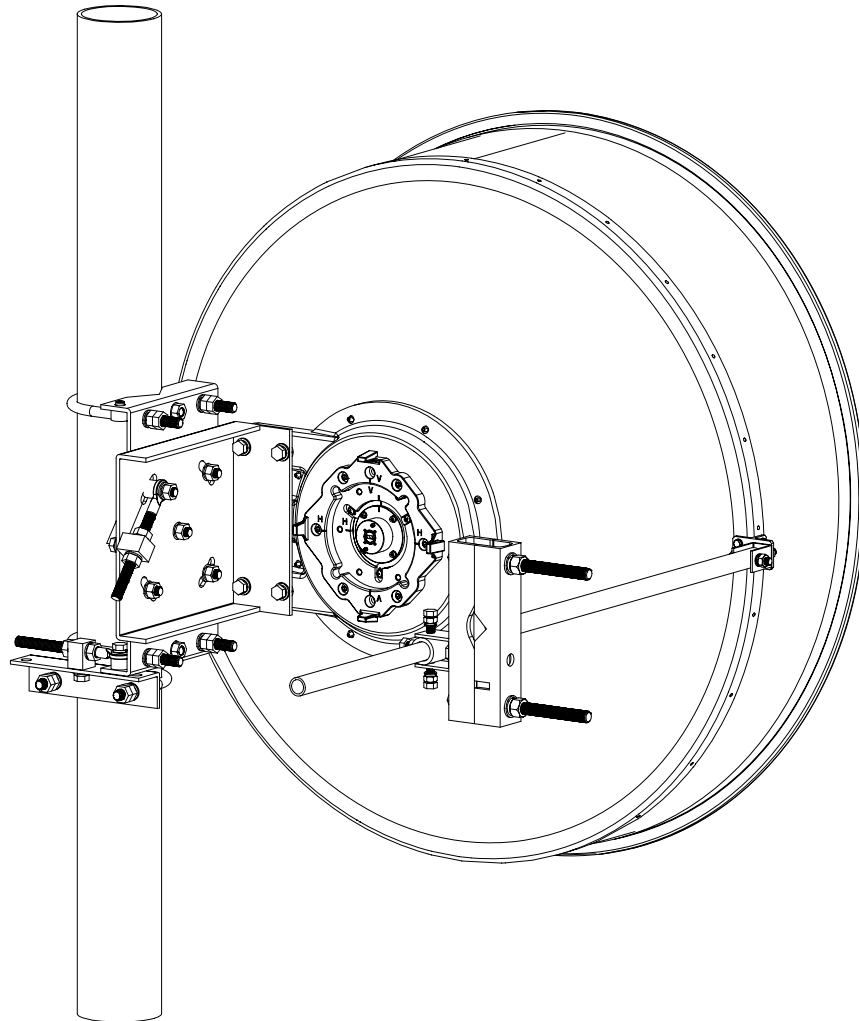


Installation Instructions

For 3 foot / 0.9m Diameter Ultra High Performance Antenna

Model ADxxG-3-T2



Before Installation, please read the instructions carefully.

- ◆ This instruction book covers the installation of 0.9m High performance microwave antenna.
- ◆ Installation, maintenance and removal of antenna should be done by qualified personnel.
- ◆ To guarantee performance, the antenna should be inspected once a year by a qualified personnel.

CONTENTS

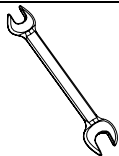
1. Installation Preparation	1
2. Open the Package and Identify Parts.....	1
3. Mount Hanger Frame	2
4. Mount Anti-skid Bracket	2
5. Mounting to the Pole	3
6. Mount Horizontal Adjustor	3
7. Sway Bar Kit.....	4
8. Adjustment	4
9. Antenna Assembly Finishing	5
10. Mechanical Dimensions	6

1. Installation Preparation

1.1 Mounting Pole- The antenna must be attached to the Mounting Pole (self-feed) of diameter approximately 4.5 inches (114 mm).

1.2 Tools Required for Installation

Table of Tools			
Item	Tool	Description	QTY
1	Open-end Spanner	10-14mm	1
2	Open-end Spanner	17-19mm	1
3	Open-end Spanner	22-24mm	1



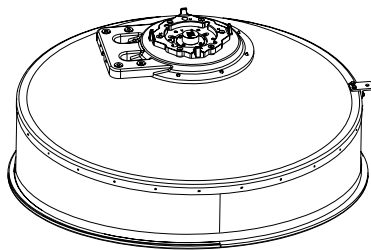
1.3 Torque Parameters of Standard Parts

Please use the following torque specifications when assembling the antenna.

Table of Torque Parameters

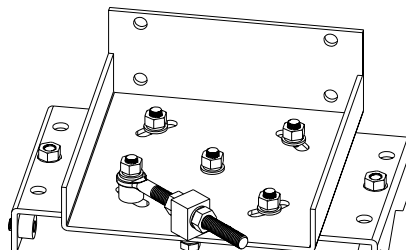
NO.	Fastener Size	Torque (N·m)
1	M3	0.6
2	M4	1.3
3	M5	3
4	M6	5
5	M10	28

2. Open the Package and Identify Parts



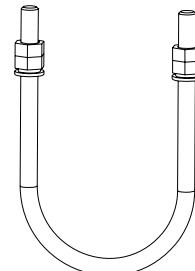
(a)

Reflector Assembly (1 set)



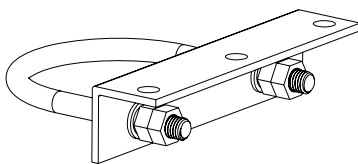
(c)

Hanger Frame (1 set)



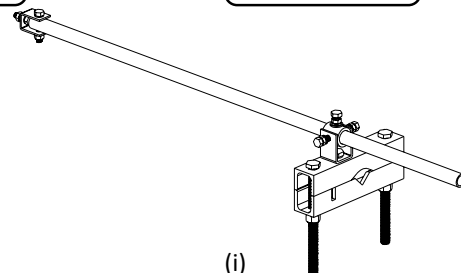
(f)

U-bolt (2 sets)



(h)

Anti-skid Bracket (1 set)

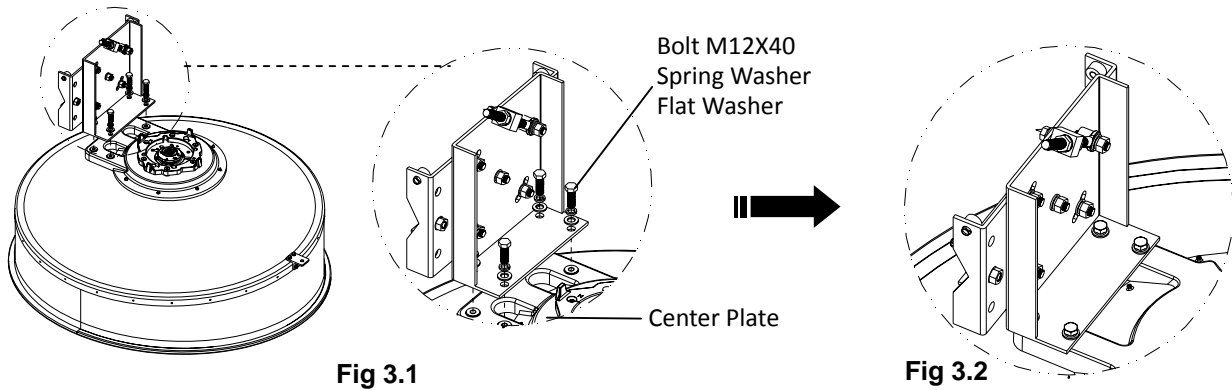


(i)

Sway bar Kit (1 set)

Fig 2.1 Parts

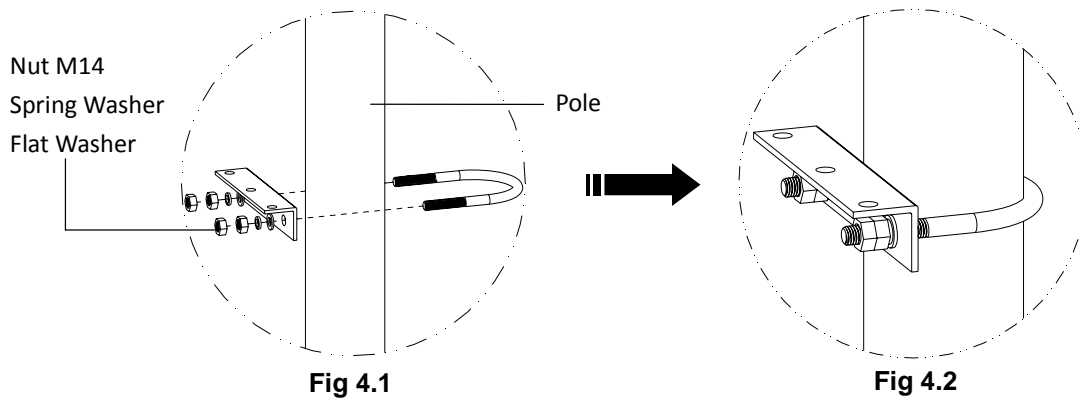
3. Mount Hanger Frame



3.1 Put Hanger Frame into the Center Plate, and then use M12X40 bolt to connect these two parts (shown in Fig 3.1).

3.2 Tighten all the standard parts (shown in Fig 3.2).

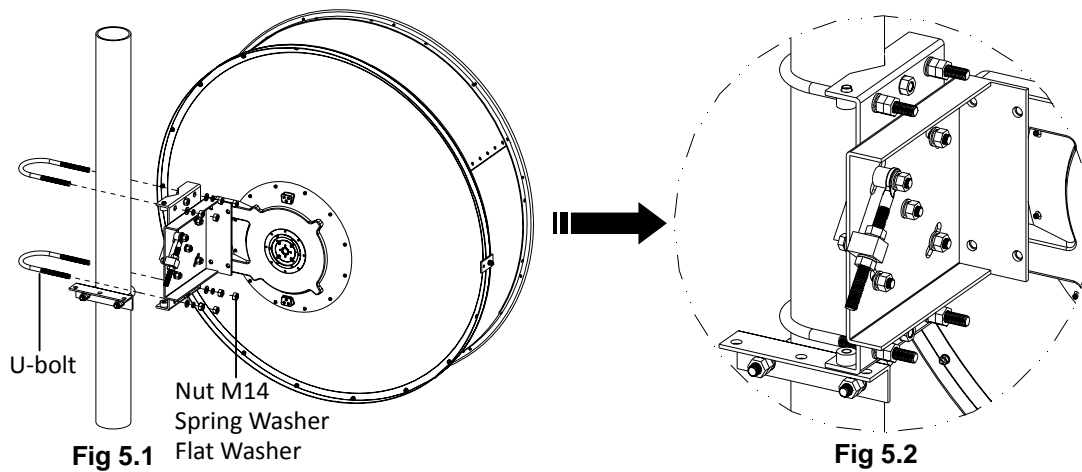
4. Mount Anti-skid Bracket



4.1 Attach Anti-skid Bracket to the Pole (shown in Fig 4.1).

4.2 Tighten all the standard parts (shown in Fig 4.2).

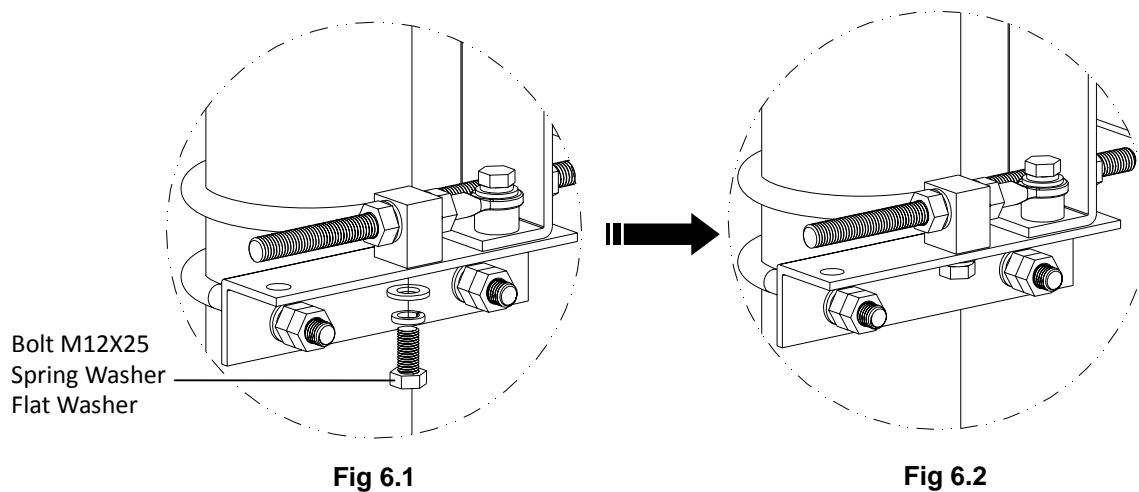
5. Mounting to the Pole



5.1 Mount antenna to the pole by 2 U-bolts (shown in Fig 5.1).

5.2 Tighten all the standard parts (shown in Fig 5.2).

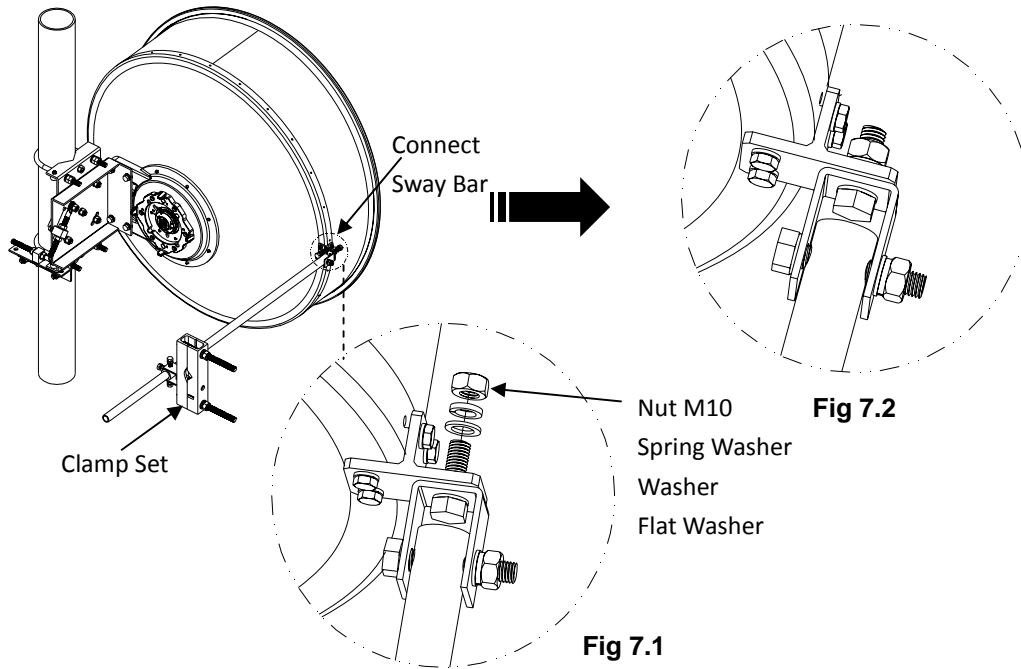
6. Mount Horizontal Adjustor



6.1 Use M12X25 bolt to connect Horizontal Adjustor with Anti-skid Bracket (shown in Fig 6.1).

6.2 Tighten all the standard parts (shown in Fig 6.2).

7. Sway Bar Kit

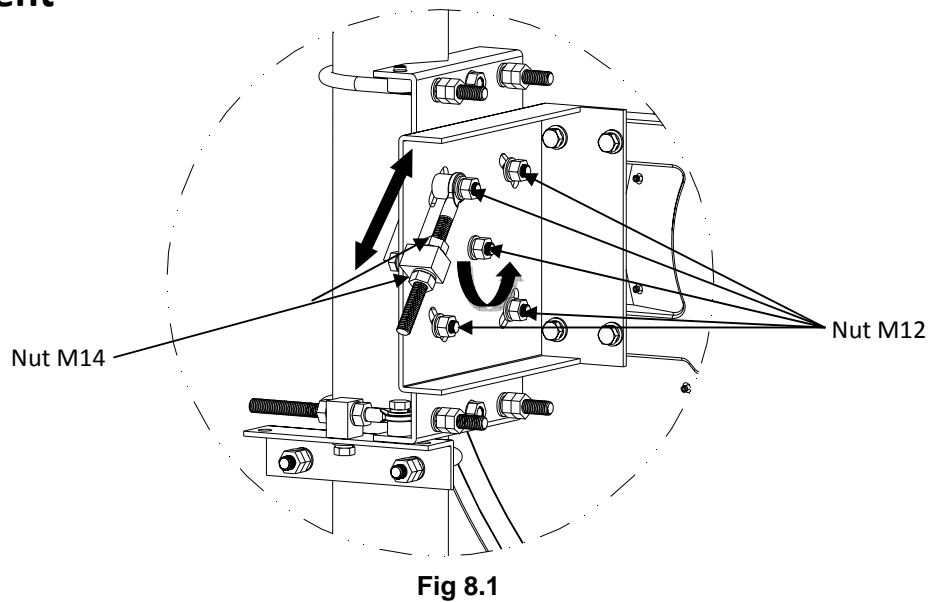


7.1 Use M10X35 bolt to connect Sway Bar to antenna (shown in Fig 7.1).

7.2 Attach Clamp Set to the tower.

7.3 Tighten all the standard parts (shown in Fig 7.2).

8. Adjustment



8.1 Elevation Adjustment

8.1.1 Loosen M12 Nut, and then rotate M14 Nut clockwise or counterclockwise to make elevation adjustment (shown in Fig 8.1).

8.1.2 Tighten all the standard parts.

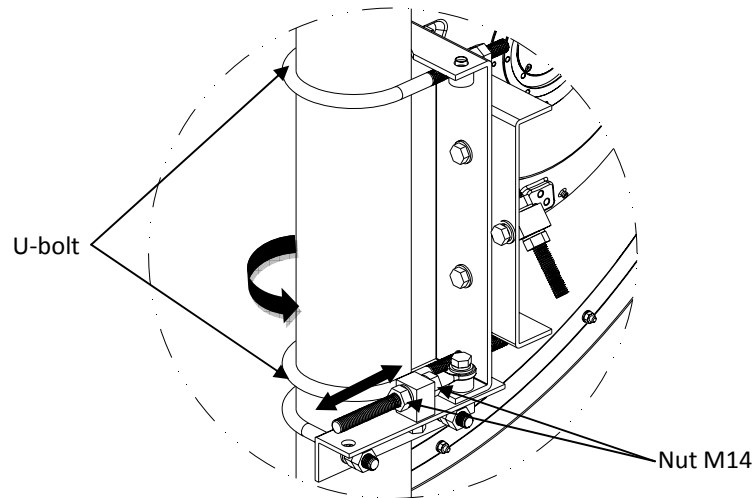


Fig 8.2

8.2 Azimuth Adjustment

8.2.1 Loosen nuts of u-bolt, and then adjust M14 Nut back and forth to the according position (shown in Fig 8.2).

8.2.2 Tighten all the standard parts.

9. Antenna Assembly Finishing

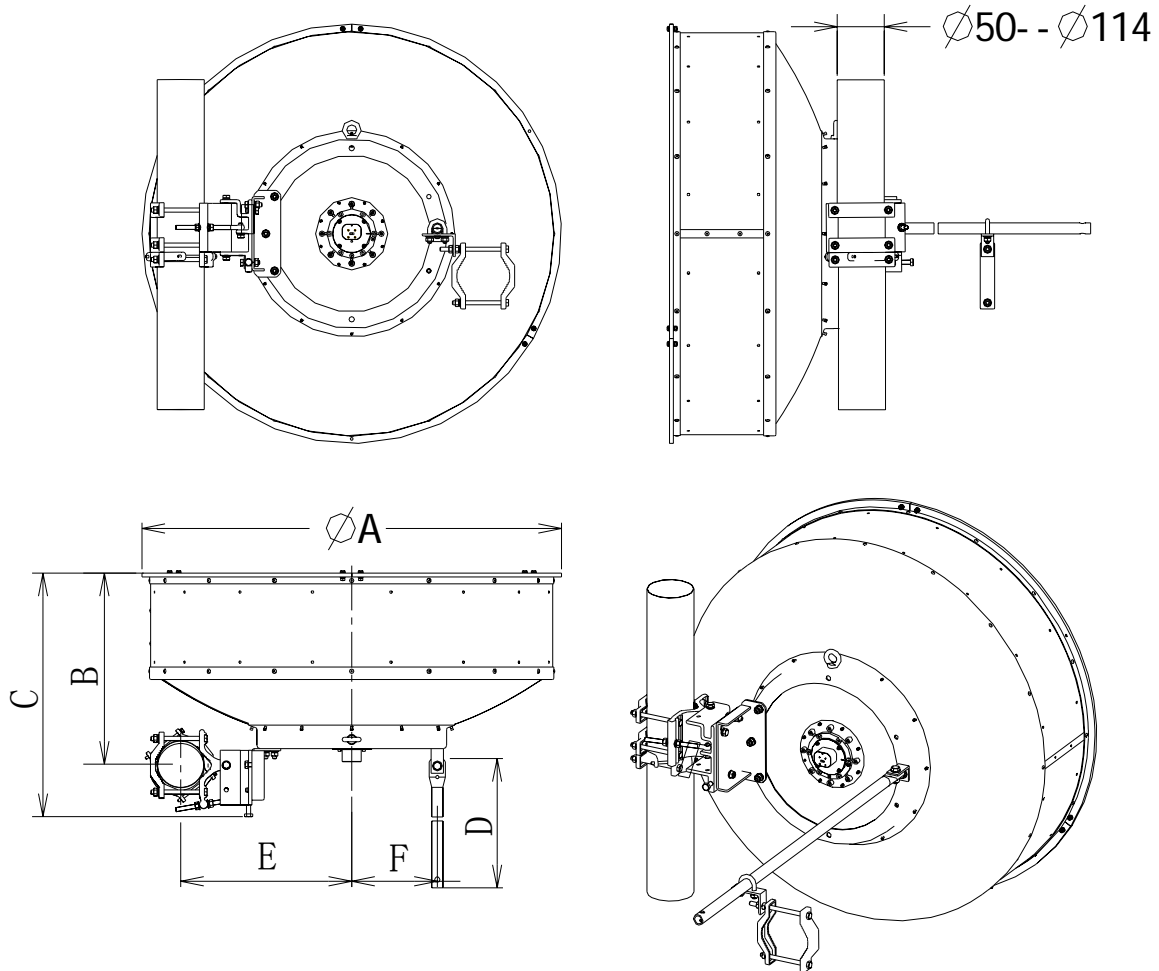
9.1 Tighten all the standard parts after antenna assembly/alignment is done, following recommended torque specs (refer to the chapter 1.3).

9.2 Keep the antenna's bottom drain hole open, but leave the top one sealed.

9.3 **Do not mount the antenna during rainy weather or when thunderstorms are nearby**

9.4 The antenna should be inspected once a year by qualified personnel.

10. Mechanical Dimensions



Dimensions (in/mm)	
A	40.16 / 1020
B	18.3 / 465
C	23.23 / 590
D	39.37 / 1000
E	16.42 / 415
F	8.27 / 210