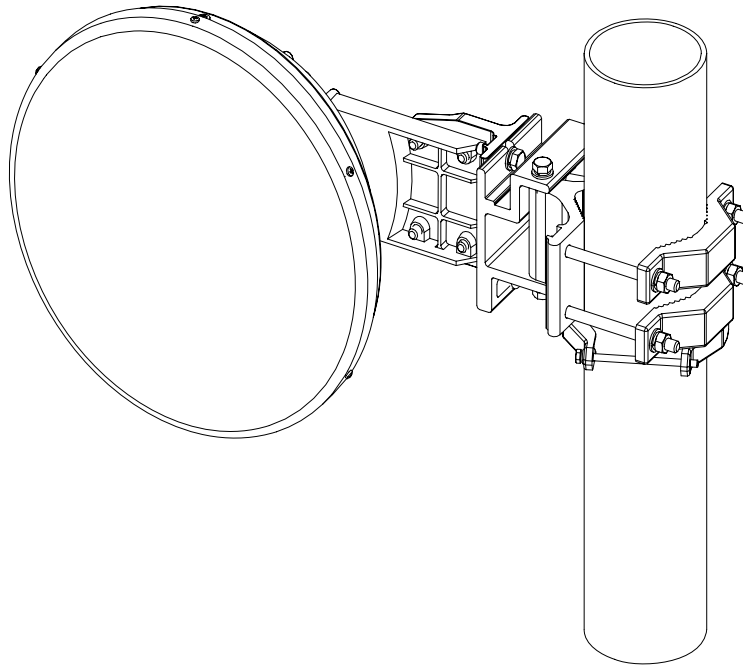


Installation Instructions

For 1 foot / 0.3m Diameter Ultra-high Performance Antenna

Model ADxxG-1-T2



Before Installation, please read these instructions carefully.

- ◆ This instruction guide is for the installation of 1 foot / 0.3m diameter ultra-high performance microwave antenna.
- ◆ Installation, maintenance and removal of the antenna should be done by qualified personnel.
- ◆ To guarantee performance, the antenna system is should be inspected once a year by qualified personnel.

CONTENTS

1. Installation Preparation.....	1
1.1 Mounting Pole.....	1
1.2 Tools required for Installation.....	1
1.3 Torque Parameters of Standard Parts	1
2. Open the Package and Identify Parts	1
3. Connect Mount and Reflector Assembly.....	2
3.1 Assemble Mount	2
3.2 Connect Mount and Reflector	3
4. Antenna Installation On Tower	3
4.1 Mount Anti-slide Bracket.....	3
4.2 Antenna installation	4
5. Antenna Adjustment.....	4
5.1 Azimuth Adjustment.....	4
5.2 Elevation Adjustment	5
6. Antenna Assembly Finishing.....	5
7. Mechanical Dimensions.....	6

1. Installation Preparation

1.1 Mounting Pole

The antenna can be fixed to the Mounting Pole (self-feed) of diameter from $\varnothing 50$ mm to $\varnothing 114$ mm.

1.2 Tools required for Installation

20x200 Adjustable Spanner (Used for bolt M10-M12)

17-19 Open-end Spanners (Used for bolt M10-M12)

3mm L-Spanner (Used for Screw M4)

Philips Screw-driver (Used for M3-M5)

Torque Spanner (Recommended)

1.3 Torque Parameters of Standard Parts

Please use the following torque specifications when assembling the antenna.

Table of Torque Parameters

NO.	Part Size	Torque (N·m)
1	M3	0.6
2	M4	1.3
3	M5	3
4	M6	5
5	M10	28

2. Open the Package and Identify Parts

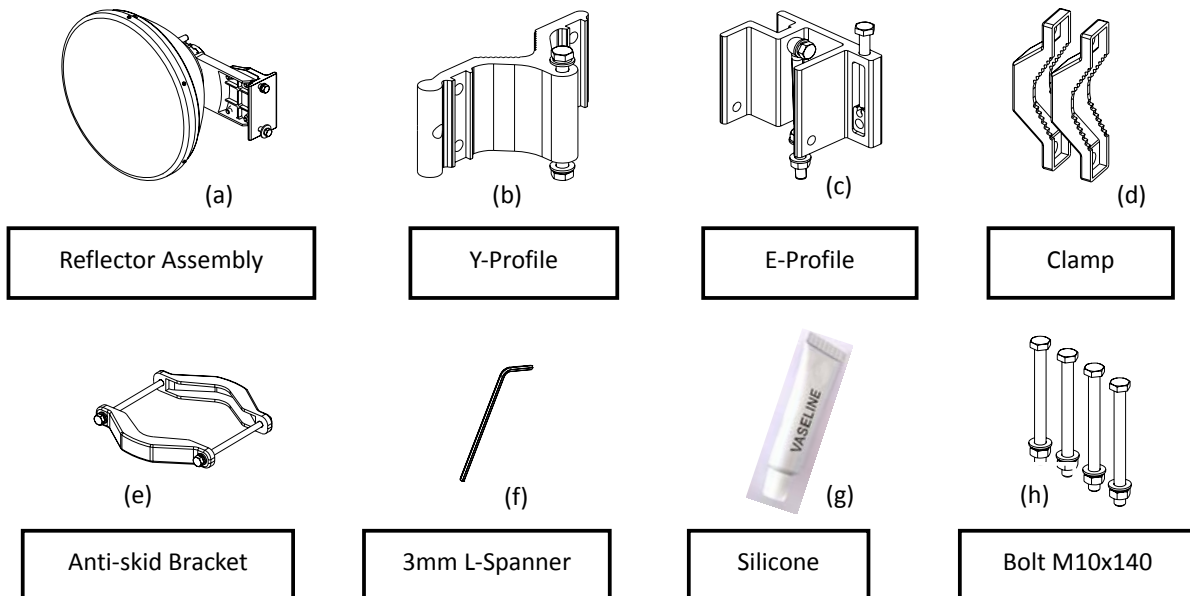
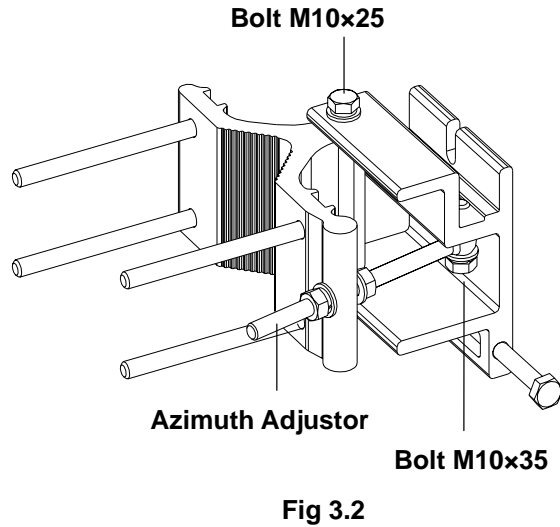
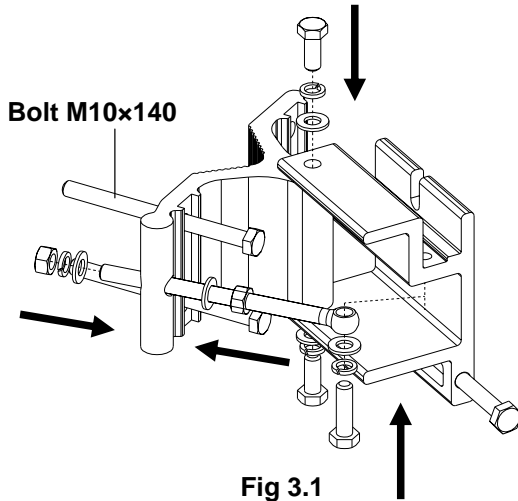


Fig 2.1 Parts List

3. Connect Mount and Reflector Assembly

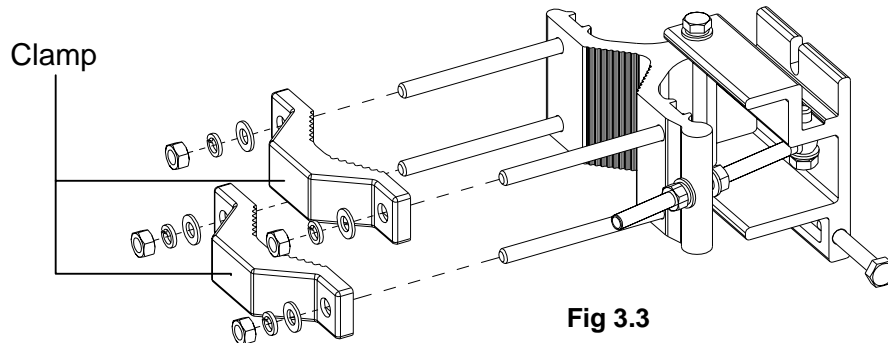
3.1 Assemble Mount

Step1: Connect Y Type and E Type Extruded Profile with two M10×25 bolts, and then put two M10×140 bolts in the mounting holes of Y Type Extruded Profile (show in Fig 3.1).

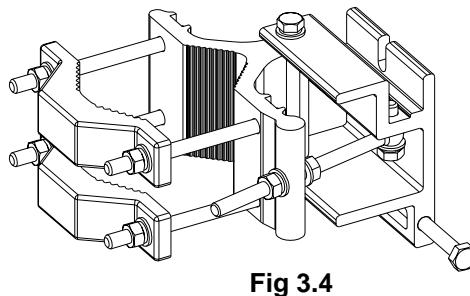


Step2: Install Azimuth Adjustor through the hole of Y Type Extruded Profile, and then use Bolt M10×35 to attach it to the E Type Extruded Profile (shown in Fig 3.2).

Step3: Connect the two clamps to the four pieces of M10X140 bolt as shown in Fig. 3.3. Screw the nuts on the bolts into a position around 20mm to stabilize the clamps.

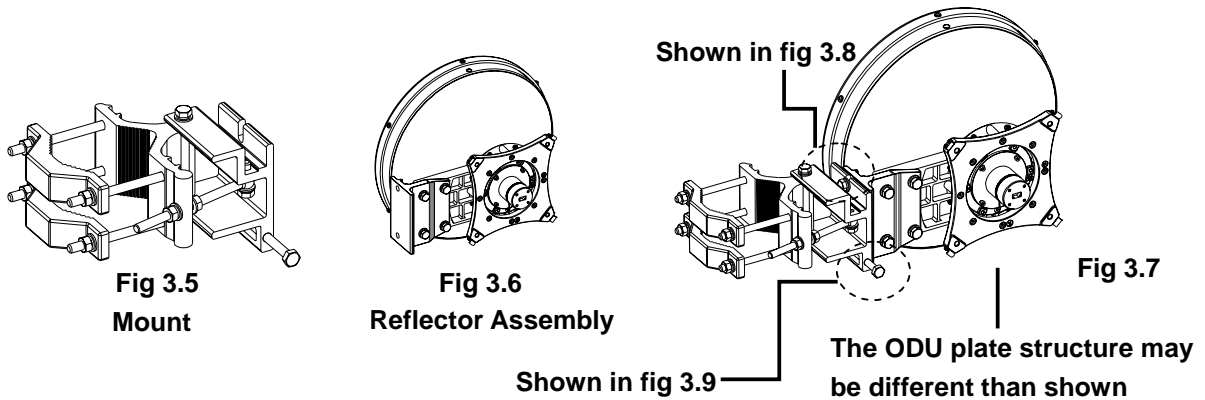


Step4: Complete the entire bracket assembly as shown in Fig. 3.4.

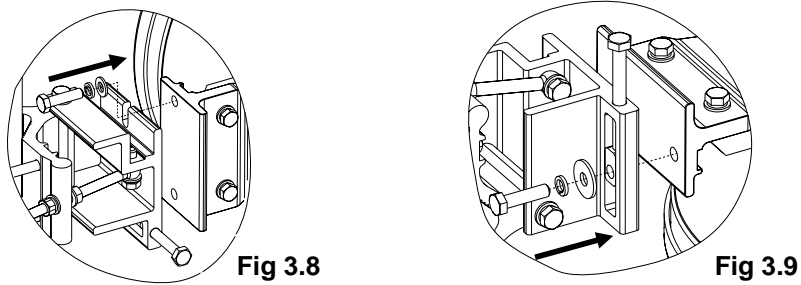


3.2 Connect Mount and Reflector

As shown in the diagrams below, connect the mount and Reflector Assembly by bolts (shown in Fig 3.7).



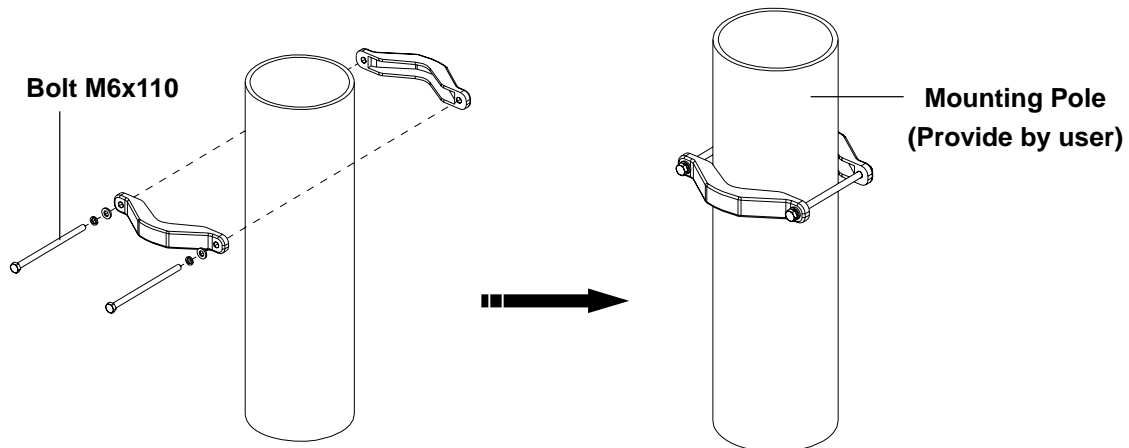
Use 2 bolts to connect the mount to the reflector assembly as shown in Fig 3.8 and Fig 3.9.



4. Antenna Installation on the Tower

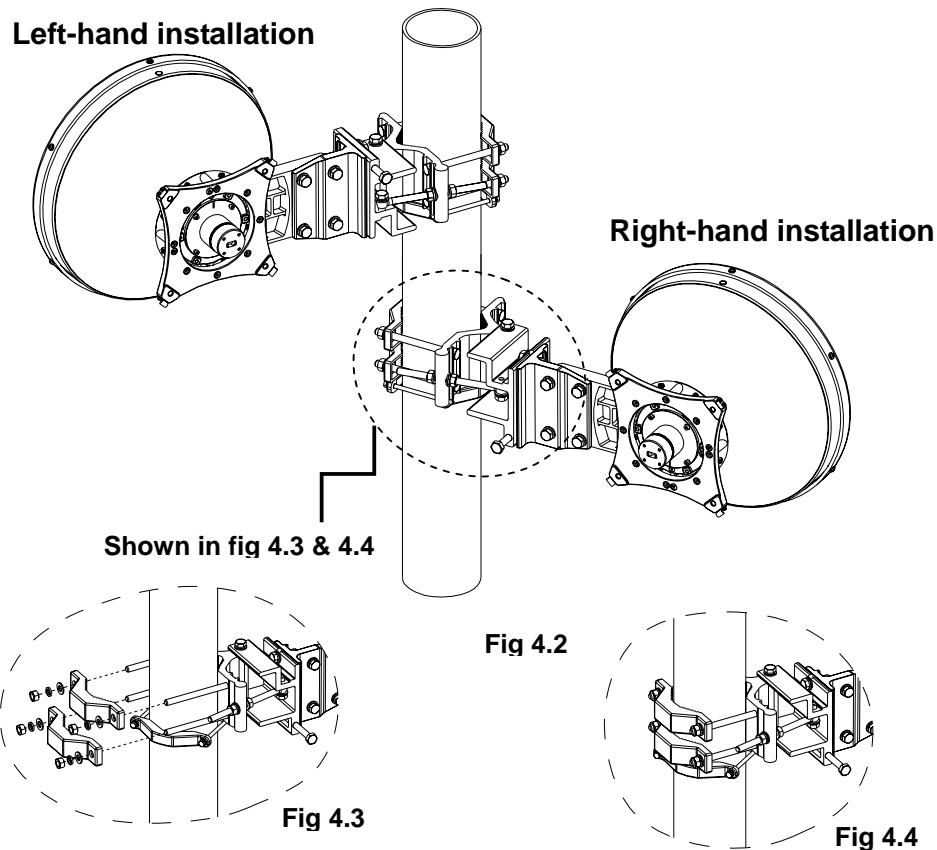
4.1 Mount Anti-slide Bracket

The anti-slide bracket should be mounted to the Mounting Pole (50mm to 114 mm diam) as shown in Fig 4.1. Tighten the two M6x110 bolts after setting the position.



4.2 Antenna installation

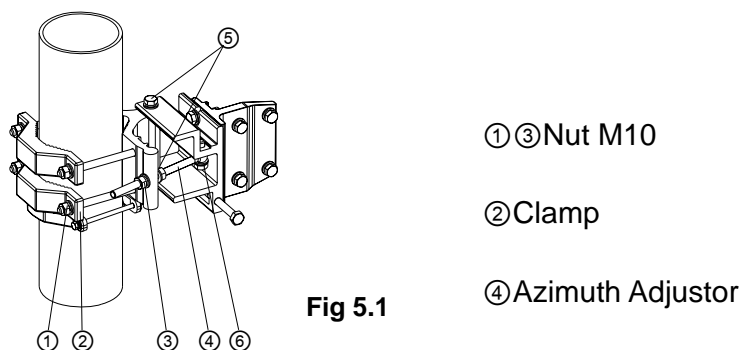
As shown in Figs. 4.2 and 4.3, the antenna may be installed on either the left or right side of the mounting pole. Attach the mount above the anti-slide bracket and tighten the mount onto the pole.



5. Antenna Adjustment

5.1 Azimuth Adjustment

To make a fine azimuth adjustment, loosen bolts (No. 5 and 6), and then adjust nuts (No.3) of Azimuth Adjustor back and forth slowly. The antenna has a fine azimuth adjustment range of -15° to $+15^{\circ}$. Tighten all the standard parts after the adjustment is done.



5.2 Elevation Adjustment

To make an elevation adjustment (shown in Fig 5.2): loosen the nuts (No.1), and then rotate Elevation Adjustor clockwise or counterclockwise. The antenna has a fine elevation adjustment range of -15° to $+15^{\circ}$. Tighten all the standard parts after the antenna alignment is done.

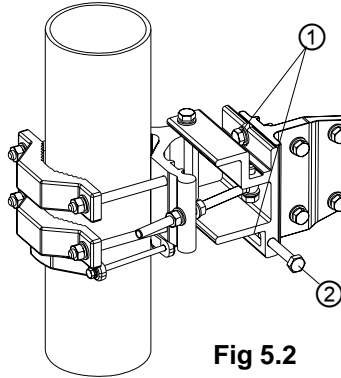


Fig 5.2

① Bolt M10 ② Elevation Adjustor

6. Antenna Assembly Finishing

- 6.1 Tighten all the standard parts after antenna assembly is done, ensuring that the proper torque is applied. (Refer to Section 1.3). Verify the Radio RSSI is unchanged after tightening.
- 6.2 Keep the antenna bottom drain-hole open by removing the plug. The top drain-hole plug should stay sealed. (Fig.6.1 and Fig 6.1.1).
- 6.3 Do not mount the antenna during rainy weather or when thunderstorms are nearby.

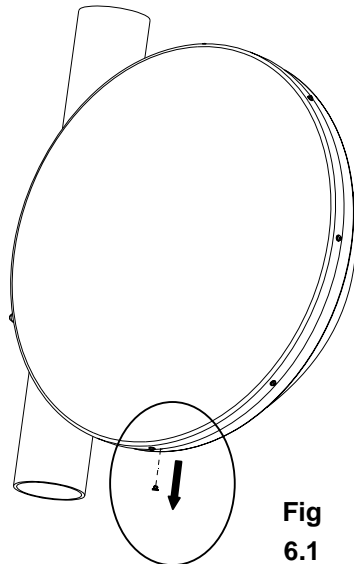


Fig 6.1

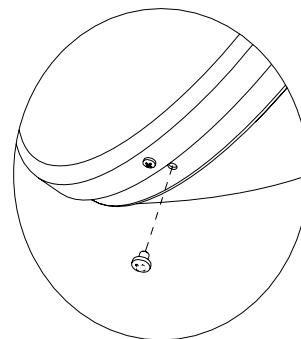
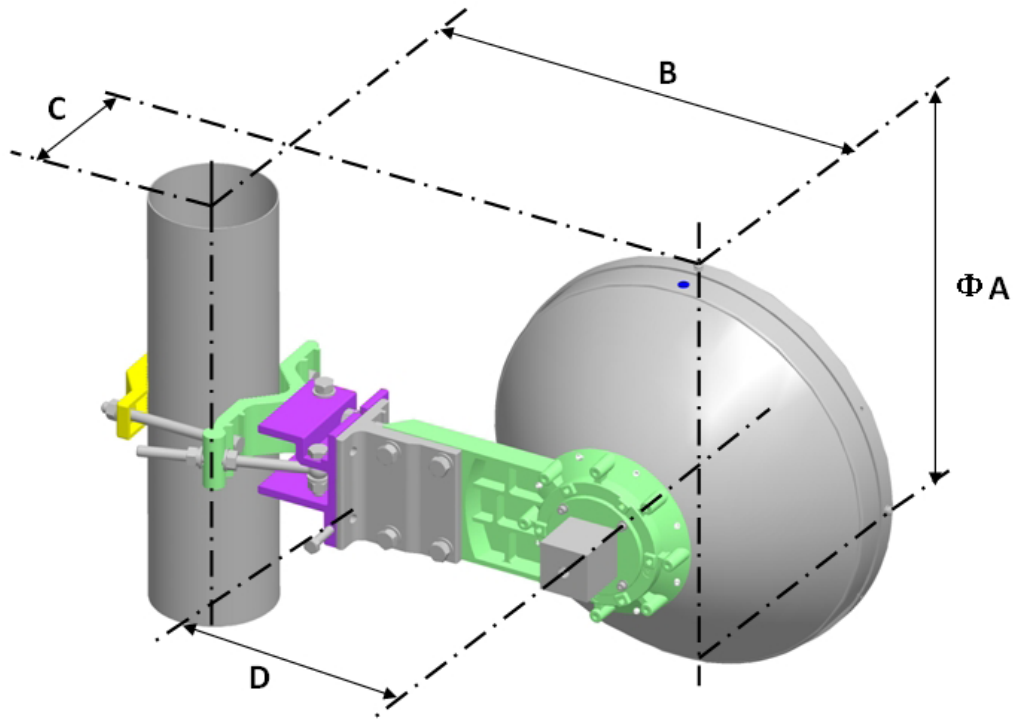


Fig 6.1.1

7. Mechanical Dimensions



Dimensions (inch/mm)	A	B	C	D
		15.2 / 386	16.2 / 412	5.7 / 145

Note: All size data above is for a pole diameter of 114 mm.